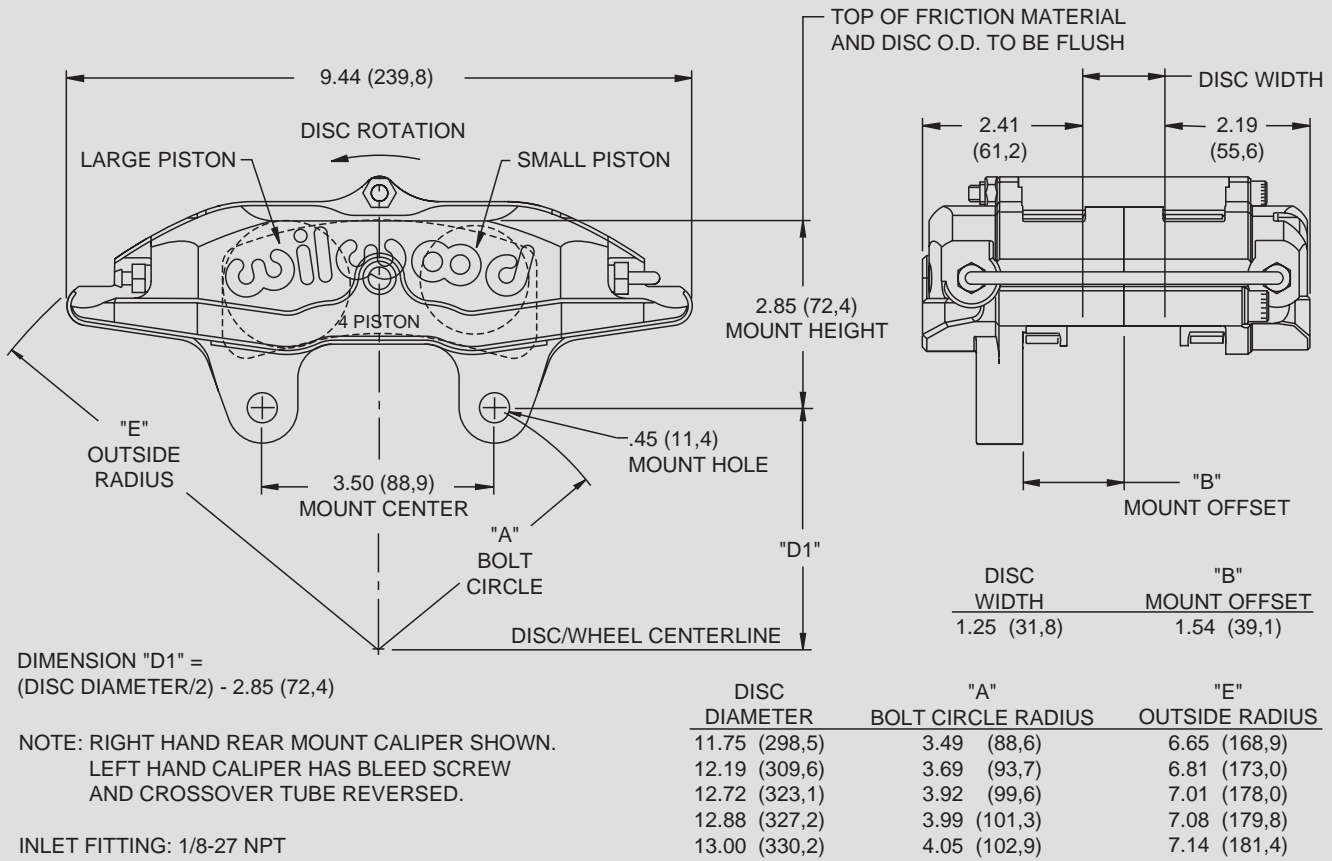
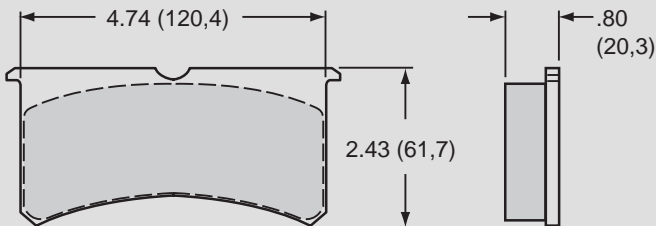




**BILLET SUPERLITE 4 CALIPER, MOUNTING DIMENSIONS:**



**SUPERLITE 4 BRAKE PAD TYPE 7420 - PAD VOLUME = 4.9 CU. IN.:**



AXLE SET P/N	PAD TYPE / COMPOUND
15A - 5938K	7420 A PolyMatrix
15B - 5939K	7420 B PolyMatrix
15C - 6853K	7420 C PolyMatrix
15E - 6084K	7420 E PolyMatrix
15H - 8114K	7420 H PolyMatrix
15Q - 6829K	7420 Q PolyMatrix
150 - 8854K	7420 10 BP-10 Smart Pad
150 - 9416K	7420 20 BP-20 Smart Pad
150 - 9864K	7420 30 BP-30 Smart Pad
150 - 8323K	7420 SM For Titanium Rotor

**SERVICE PARTS ORDERING INFORMATION:**

CALIPER PART NO.	PISTON	SQ RING KIT (4 PK)	BLEED SCREW KIT (4 PK)	CROSSOVER TUBE KIT (4 PK)	SELF-BLEED TUBE (EA)	BRIDGE BOLT KIT	BRIDGE WEAR PLATE (EA)
120-7568	200-7522 (1.88") 200-7532 (1.75")	130-2427	220-6069	190-5975	190-8310	230-5978	300-5922 (R/H) 300-5923 (L/H)
120-7569	200-7522 (1.88") 200-7532 (1.75")	130-2427	220-6069	190-5975	190-8310	230-5978	300-5922 (R/H) 300-5923 (L/H)
120-7570	200-7550 (1.88") 200-7551 (1.75")	130-2427	220-6069	190-5975	190-8310	230-5978	300-5922 (R/H) 300-5923 (L/H)
120-7571	200-7550 (1.88") 200-7551 (1.75")	130-2427	220-6069	190-5975	190-8310	230-5978	300-5922 (R/H) 300-5923 (L/H)