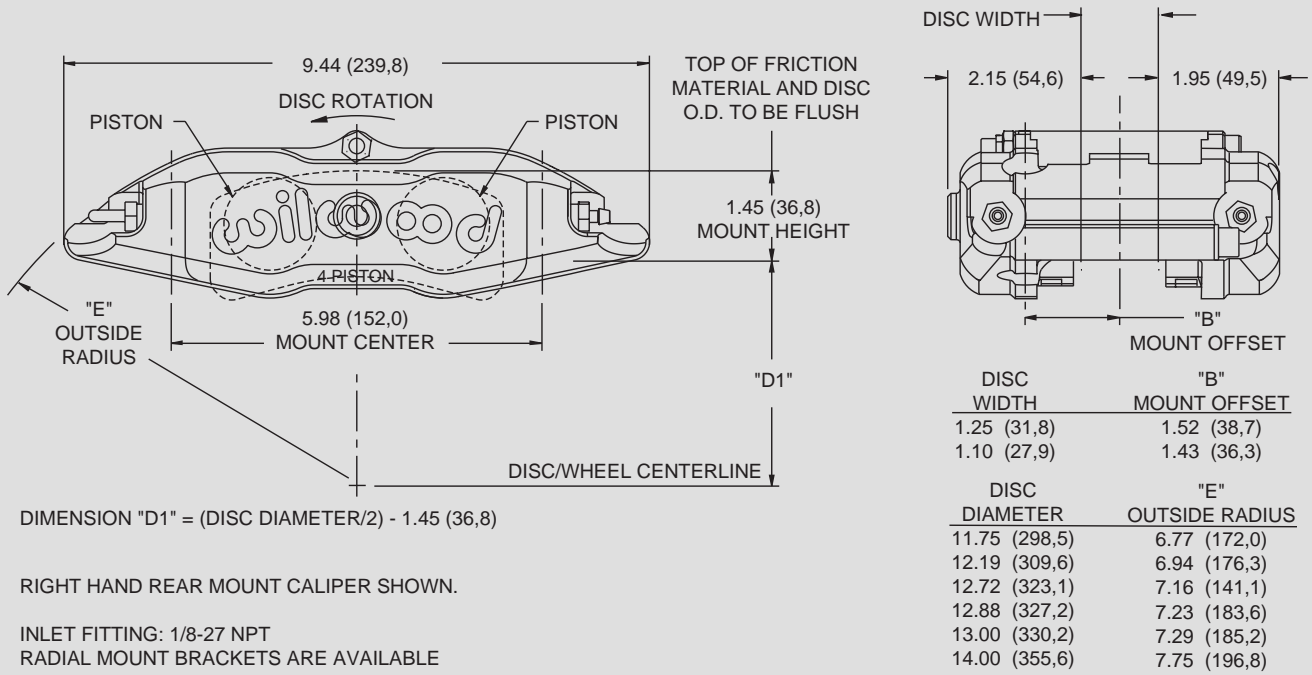




**BILLET NARROW SUPERLITE 4R CALIPER, MOUNTING DIMENSIONS:**



**RADIAL CALIPER ADAPTER BRACKETS:**

Radial mount adapter brackets are used in Wilwood brake kits to provide a secure and precise method of attaching the SL 4R caliper to the factory mount bosses on the original spindle. For a list of specific available applications, consult the Wilwood Bolt-On Brake Kit catalog, or visit the kit section of our website @ [www.wilwood.com](http://www.wilwood.com).



**SERVICE PARTS ORDERING INFORMATION:**

CALIPER PART NO.	PISTON	SQ RING KIT (4 PK)	BLEED SCREW KIT (4 PK)	CROSSOVER TUBE KIT (4 PK)	DUST BOOT (EA)	BRIDGE BOLT KIT	BRIDGE WEAR PLATE (EA)
120-8062	200-7318 (1.25")	130-2479	220-6069	190-7711	210-7210	230-7710	300-6595 (R/H) 300-6596 (L/H)
120-8063	200-7318 (1.25")	130-2479	220-6069	190-8369	210-7210	230-7049	300-6595 (R/H) 300-6596 (L/H)
120-8064	200-7319 (1.38")	130-2658	220-6069	190-7711	210-7210	230-7710	300-6595 (R/H) 300-6596 (L/H)
120-8065	200-7319 (1.38")	130-2658	220-6069	190-8369	210-7210	230-7049	300-6595 (R/H) 300-6596 (L/H)
120-8070	200-7322 (1.75")	130-2655	220-6069	190-7711	210-7210	230-7710	300-6595 (R/H) 300-6596 (L/H)
120-8071	200-7322 (1.75")	130-2655	220-6069	190-8369	210-7210	230-7049	300-6595 (R/H) 300-6596 (L/H)
120-8501	200-7531 (1.75")	130-2655	220-6069	190-8369	—	230-7049	300-6595 (R/H) 300-6596 (L/H)
120-8502	200-7531 (1.75")	130-2655	220-6069	190-7711	—	230-7710	300-6595 (R/H) 300-6596 (L/H)
120-8503	200-7516 (1.38")	130-2658	220-6069	190-8369	—	230-7049	300-6595 (R/H) 300-6596 (L/H)
120-8504	200-7516 (1.38")	130-2658	220-6069	190-7711	—	230-7710	300-6595 (R/H) 300-6596 (L/H)
120-8505	200-7514 (1.25")	130-2479	220-6069	190-8369	—	230-7049	300-6595 (R/H) 300-6596 (L/H)
120-8506	200-7514 (1.25")	130-2479	220-6069	190-7711	—	230-7710	300-6595 (R/H) 300-6596 (L/H)