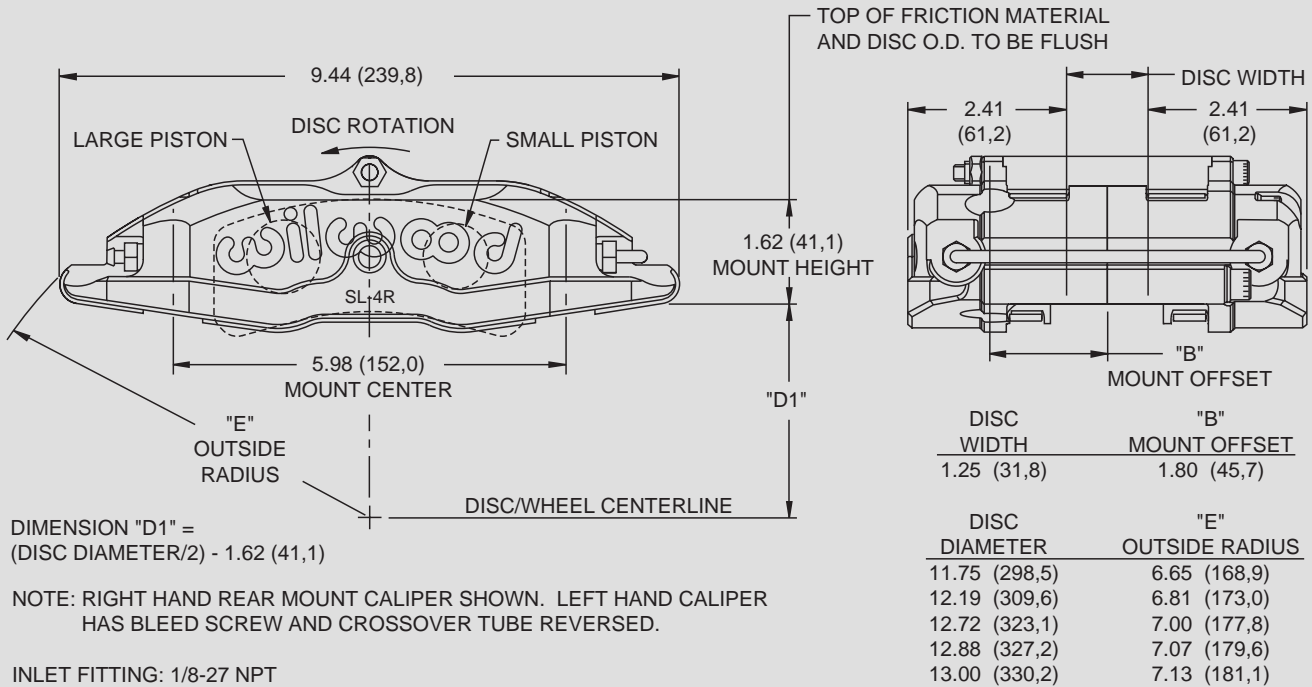
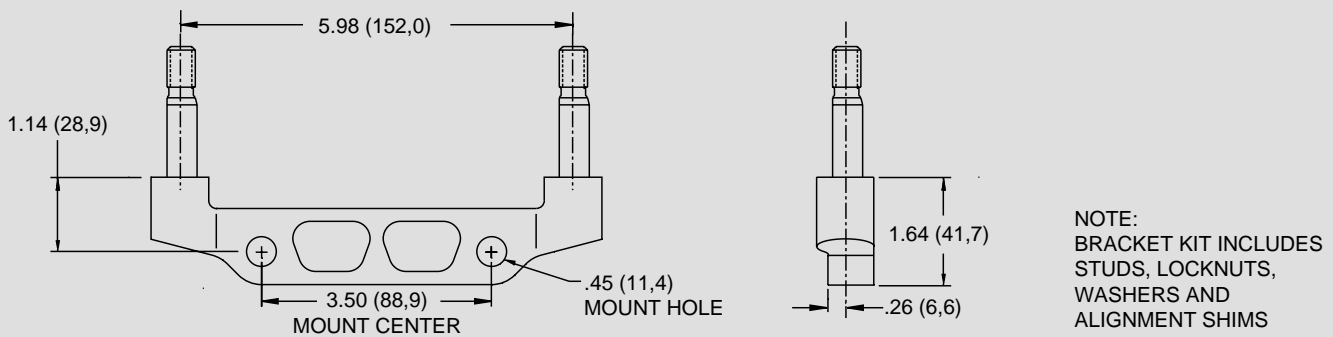




**BILLET SUPERLITE 4R/ST RADIAL MOUNT CALIPER, MOUNTING DIMENSIONS:**



**RADIAL CALIPER TO LUG MOUNT ADAPTER BRACKET, PART NUMBER 250-6309:**



**SERVICE PARTS ORDERING INFORMATION:**

CALIPER PART NO.	PISTON	SQ RING KIT (4 PK)	BLEED SCREW KIT (4 PK)	CROSSOVER TUBE KIT (4 PK)	SELF-BLEED TUBE (EA)	BRIDGE BOLT KIT	BRIDGE WEAR PLATE (EA)
120-6541	200-7554 (1.38") 200-7556 (1.12")	130-7218	220-6069	190-5975	190-8310	230-5976	300-5922 (R/H) 300-5923 (L/H)
120-6542	200-7554 (1.38") 200-7556 (1.12")	130-7218	220-6069	190-5975	190-8310	230-5976	300-5922 (R/H) 300-5923 (L/H)
120-6543	200-7555 (1.25") 200-7556 (1.12")	130-7221	220-6069	190-5975	190-8310	230-5976	300-5922 (R/H) 300-5923 (L/H)
120-6544	200-7555 (1.25") 200-7556 (1.12")	130-7221	220-6069	190-5975	190-8310	230-5976	300-5922 (R/H) 300-5923 (L/H)