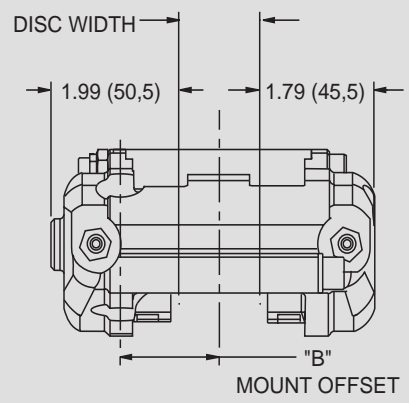
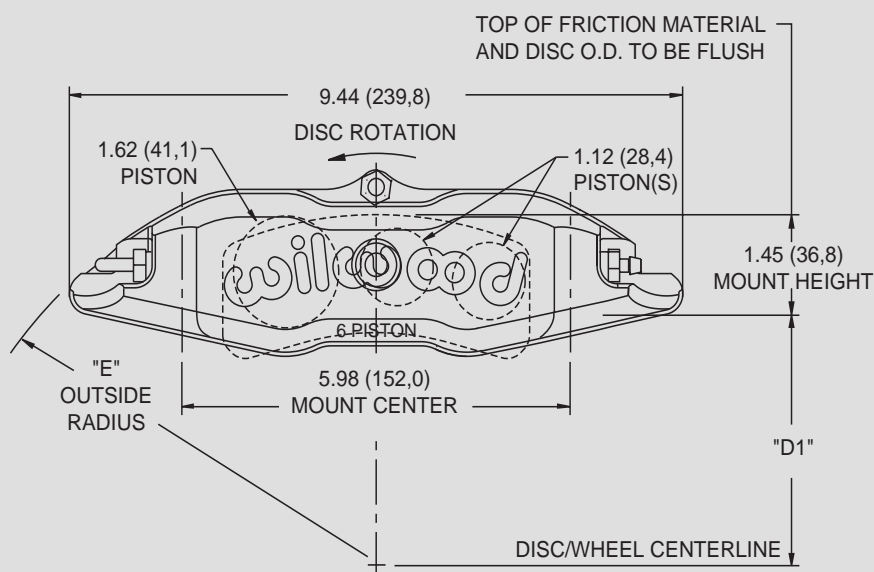




**BILLET NARROW SUPERLITE 6R CALIPER, MOUNTING DIMENSIONS:**



DISC WIDTH	"B" MOUNT OFFSET
1.25 (31,8)	1.52 (38,7)
1.10 (27,9)	1.43 (36,3)

DISC DIAMETER	"E" OUTSIDE RADIUS
11.75 (298,5)	6.77 (172,0)
12.19 (309,6)	6.94 (176,3)
12.72 (323,1)	7.16 (181,1)
12.88 (327,2)	7.23 (183,6)
13.00 (330,2)	7.29 (185,2)
14.00 (355,6)	7.75 (196,8)

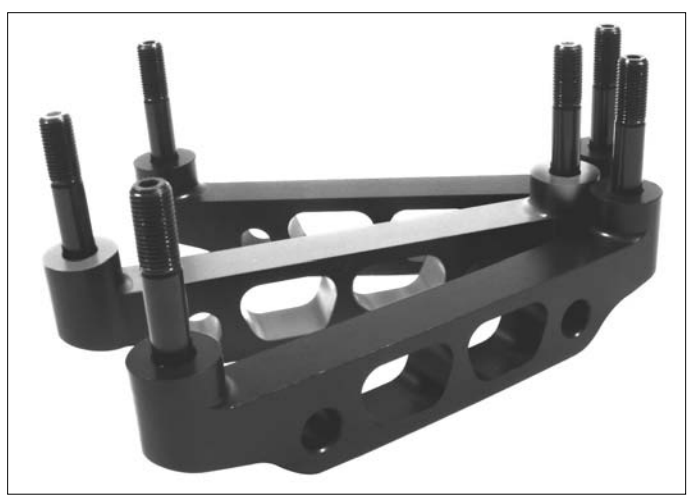
DIMENSION "D1" = (DISC DIAMETER/2) - 1.45 (36,8)

RIGHT HAND REAR MOUNT CALIPER SHOWN.

INLET FITTING: 1/8-27 NPT  
 RADIAL MOUNT BRACKETS ARE AVAILABLE

**RADIAL CALIPER ADAPTER BRACKETS:**

Radial mount adapter brackets are used in Wilwood brake kits to provide a secure and precise method of attaching the SL 6R caliper to the factory mount bosses on the original spindle. For a list of specific available applications, consult the Wilwood Bolt-On Brake Kit catalog, or visit the kit section of our website @ [www.wilwood.com](http://www.wilwood.com).



**SERVICE PARTS ORDERING INFORMATION:**

CALIPER PART NO.	PISTON	SQ RING KIT (6 PK)	BLEED SCREW KIT (4 PK)	CROSSOVER TUBE KIT (4 PK)	BRIDGE BOLT KIT	BRIDGE WEAR PLATE (EA)
120-8000	200-7520 (1.62") 200-8439 (1.12")	130-5972	220-6069	190-8369	230-7049	300-6595 (R/H) 300-6596 (L/H)
120-8001	200-7520 (1.62") 200-8439 (1.12")	130-5972	220-6069	190-8369	230-7049	300-6595 (R/H) 300-6596 (L/H)
120-8079	200-7520 (1.62") 200-8439 (1.12")	130-5972	220-6069	190-7711	230-7710	300-6595 (R/H) 300-6596 (L/H)
120-8080	200-7520 (1.62") 200-8439 (1.12")	130-5972	220-6069	190-7711	230-7710	300-6595 (R/H) 300-6596 (L/H)

Brakes are critical safety components, see **warnings** and **disclaimer** on page 131