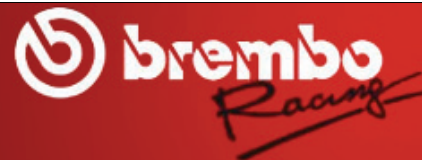




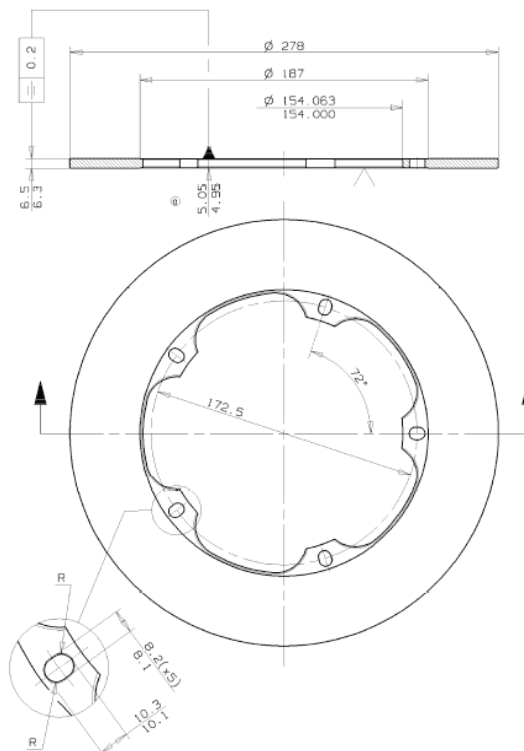
# CAST IRON DISCS



**P/N 08.4695.43**

**TECHNICAL SPECIFICATION**

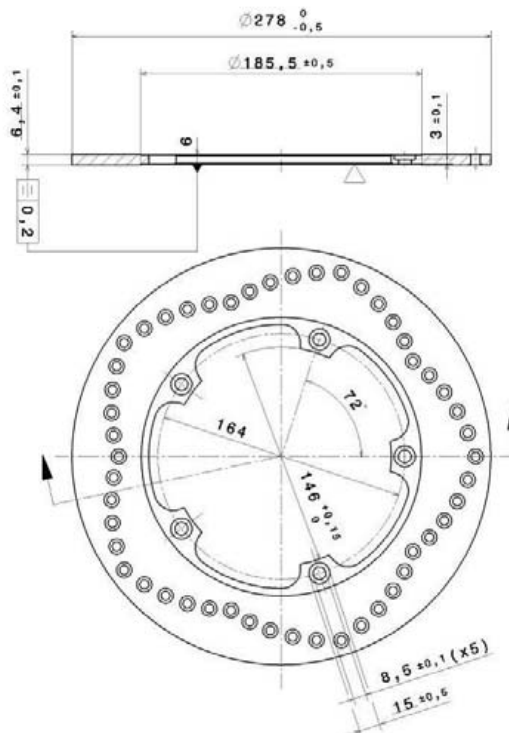
Diameter [mm]	<b>278</b>
Thickness [mm]	<b>6.4</b>
Annulus [mm]	<b>45.5</b>
Air Gap [mm]	-
Weight [Kg]	<b>1.8</b>
Ventilation	<b>pieno</b>
Offset [mm]	<b>3.2</b>
Number of Fixings	<b>5</b>
Mounting Hole Center [mm]	<b>172.5</b>
Inside Diameter [mm]	<b>187</b>
Flange Inside Diameter [mm]	<b>154</b>
Flange Thickness [mm]	<b>5</b>



**P/N 08.4695.41**

**TECHNICAL SPECIFICATION**

Diameter [mm]	<b>278</b>
Thickness [mm]	<b>6.4</b>
Annulus [mm]	<b>46</b>
Air Gap [mm]	-
Weight [Kg]	<b>1.8</b>
Ventilation	<b>pieno</b>
Offset [mm]	<b>3.2</b>
Number of Fixings	<b>5</b>
Mounting Hole Center [mm]	<b>164</b>
Inside Diameter [mm]	<b>186</b>
Flange Inside Diameter [mm]	<b>146</b>
Flange Thickness [mm]	<b>6.4</b>

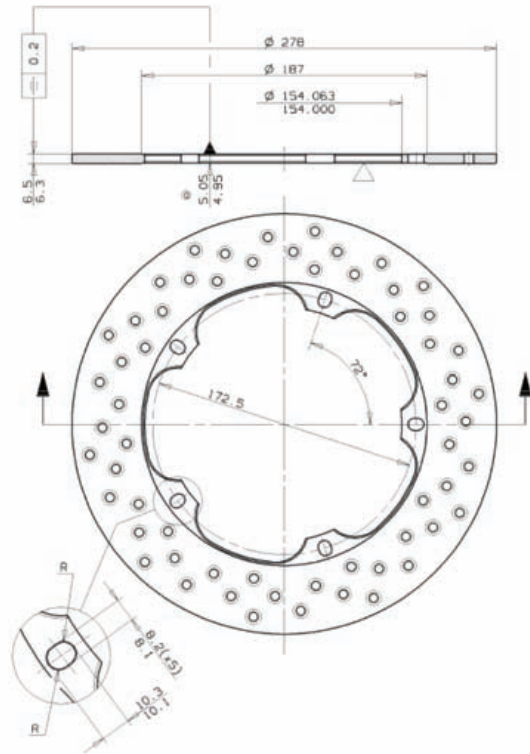




**P/N X95.50.60**

**TECHNICAL SPECIFICATION**

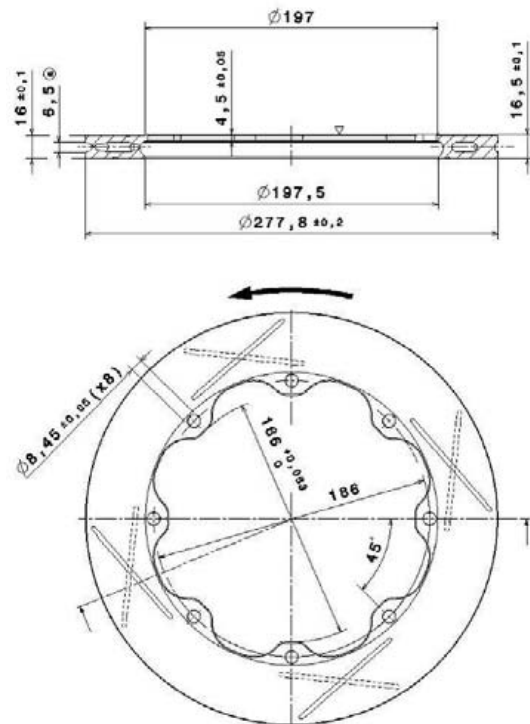
Diameter [mm]	<b>278</b>
Thickness [mm]	<b>6.5</b>
Annulus [mm]	<b>45.5</b>
Air Gap [mm]	<b>-</b>
Weight [Kg]	<b>1.7</b>
Ventilation	<b>pieno</b>
Offset [mm]	<b>2.5</b>
Number of Fixings	<b>5</b>
Mounting Hole Center [mm]	<b>172.5</b>
Inside Diameter [mm]	<b>187</b>
Flange Inside Diameter [mm]	<b>154</b>
Flange Thickness [mm]	<b>5</b>



**P/N 09.8386.16**

**TECHNICAL SPECIFICATION**

Diameter [mm]	<b>278</b>
Thickness [mm]	<b>16</b>
Annulus [mm]	<b>40.25</b>
Air Gap [mm]	<b>6.5</b>
Weight [Kg]	<b>2.45</b>
Ventilation	<b>pioli</b>
Offset [mm]	<b>8.5</b>
Number of Fixings	<b>8</b>
Mounting Hole Center [mm]	<b>186</b>
Inside Diameter [mm]	<b>197.5</b>
Flange Inside Diameter [mm]	<b>166</b>
Flange Thickness [mm]	<b>4.5</b>

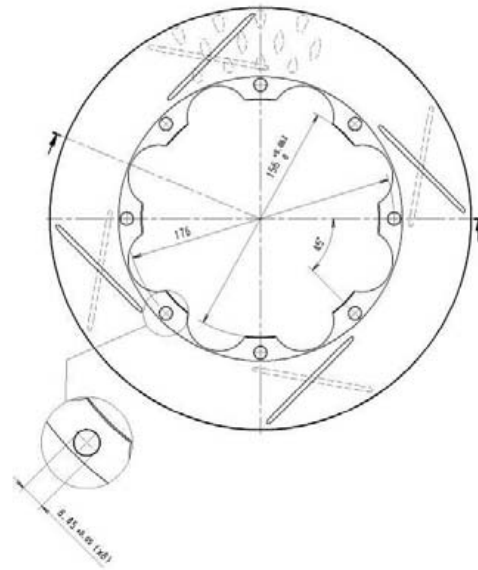
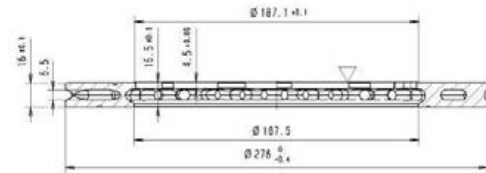




**P/N 09.8386.15**

**TECHNICAL SPECIFICATION**

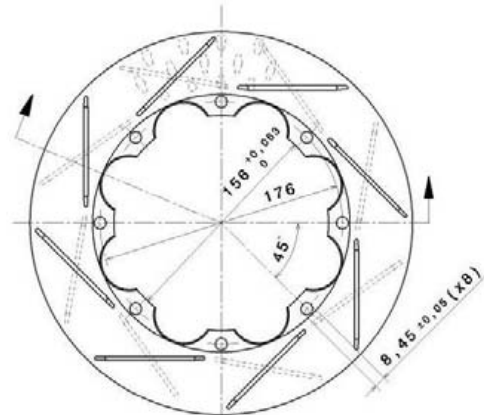
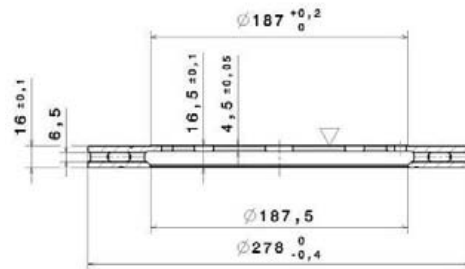
Diameter [mm]	<b>278</b>
Thickness [mm]	<b>16</b>
Annulus [mm]	<b>45.25</b>
Air Gap [mm]	<b>6.5</b>
Weight [Kg]	<b>2.7</b>
Ventilation	<b>pioli</b>
Offset [mm]	<b>8.5</b>
Number of Fixings	<b>8</b>
Mounting Hole Center [mm]	<b>176</b>
Inside Diameter [mm]	<b>187.5</b>
Flange Inside Diameter [mm]	<b>156</b>
Flange Thickness [mm]	<b>4.5</b>



**P/N 09.5210.17**

**TECHNICAL SPECIFICATION**

Diameter [mm]	<b>278</b>
Thickness [mm]	<b>16</b>
Annulus [mm]	<b>45.5</b>
Air Gap [mm]	<b>6.5</b>
Weight [Kg]	<b>2.5</b>
Ventilation	<b>pioli</b>
Offset [mm]	<b>8.5</b>
Number of Fixings	<b>8</b>
Mounting Hole Center [mm]	<b>176</b>
Inside Diameter [mm]	<b>187</b>
Flange Inside Diameter [mm]	<b>156</b>
Flange Thickness [mm]	<b>4.5</b>

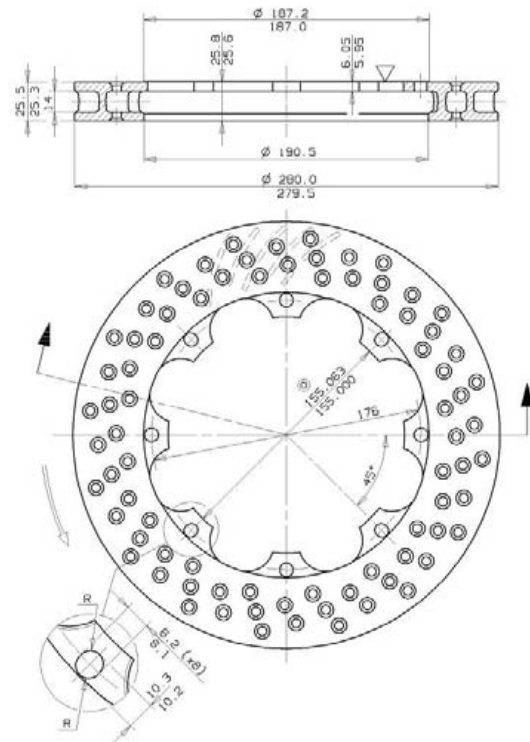




**P/N 09.5890.10/20**

**TECHNICAL SPECIFICATION**

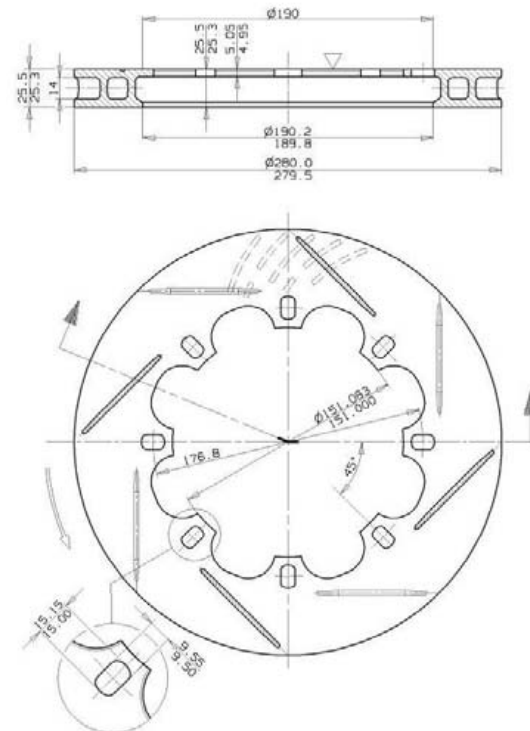
Diameter [mm]	<b>280</b>
Thickness [mm]	<b>25.4</b>
Annulus [mm]	<b>44.75</b>
Air Gap [mm]	<b>14</b>
Weight [Kg]	<b>3.3</b>
Ventilation	<b>48 vanes</b>
Offset [mm]	<b>13</b>
Number of Fixings	<b>8</b>
Mounting Hole Center [mm]	<b>176</b>
Inside Diameter [mm]	<b>190.5</b>
Flange Inside Diameter [mm]	<b>155</b>
Flange Thickness [mm]	<b>6</b>



**P/N 09.5890.30/40**

**TECHNICAL SPECIFICATION**

Diameter [mm]	<b>280</b>
Thickness [mm]	<b>25.4</b>
Annulus [mm]	<b>45</b>
Air Gap [mm]	<b>14</b>
Weight [Kg]	<b>3.55</b>
Ventilation	<b>48 vanes</b>
Offset [mm]	<b>12.7</b>
Number of Fixings	<b>8</b>
Mounting Hole Center [mm]	<b>176.8</b>
Inside Diameter [mm]	<b>190</b>
Flange Inside Diameter [mm]	<b>151</b>
Flange Thickness [mm]	<b>5</b>

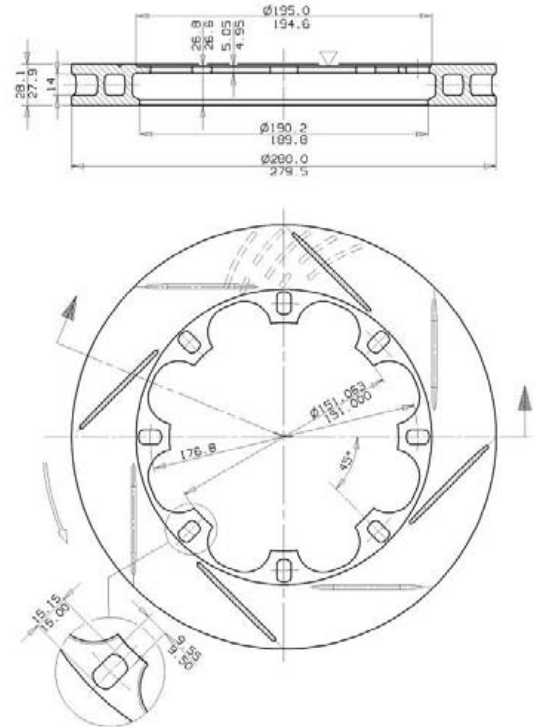




**P/N 09.5890.31/41**

**TECHNICAL SPECIFICATION**

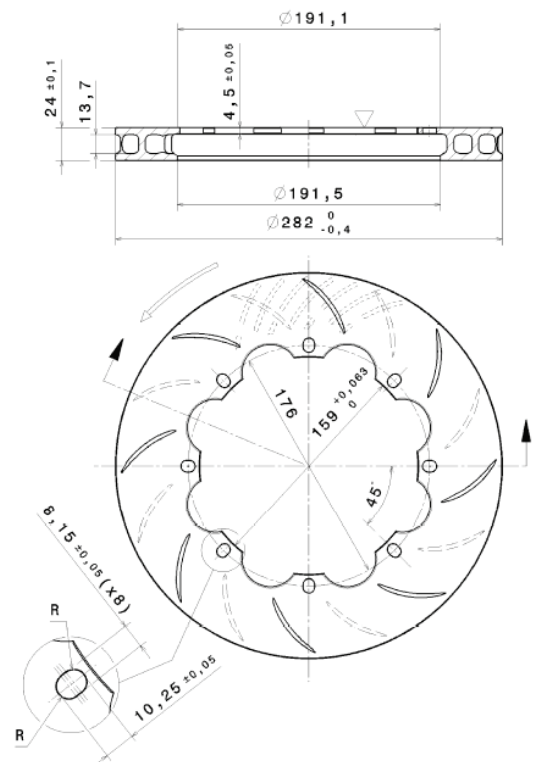
Diameter [mm]	<b>280</b>
Thickness [mm]	<b>28</b>
Annulus [mm]	<b>45</b>
Air Gap [mm]	<b>14</b>
Weight [Kg]	<b>3.9</b>
Ventilation	<b>48 vanes</b>
Offset [mm]	<b>12.7</b>
Number of Fixings	<b>8</b>
Mounting Hole Center [mm]	<b>176.8</b>
Inside Diameter [mm]	<b>190</b>
Flange Inside Diameter [mm]	<b>151</b>
Flange Thickness [mm]	<b>5</b>



**P/N 09.5890.51/61**

**TECHNICAL SPECIFICATION**

Diameter [mm]	<b>282</b>
Thickness [mm]	<b>24</b>
Annulus [mm]	<b>45.25</b>
Air Gap [mm]	<b>14</b>
Weight [Kg]	<b>3.4</b>
Ventilation	<b>48 vanes</b>
Offset [mm]	<b>14</b>
Number of Fixings	<b>8</b>
Mounting Hole Center [mm]	<b>176</b>
Inside Diameter [mm]	<b>191.5</b>
Flange Inside Diameter [mm]	<b>159</b>
Flange Thickness [mm]	<b>4.5</b>

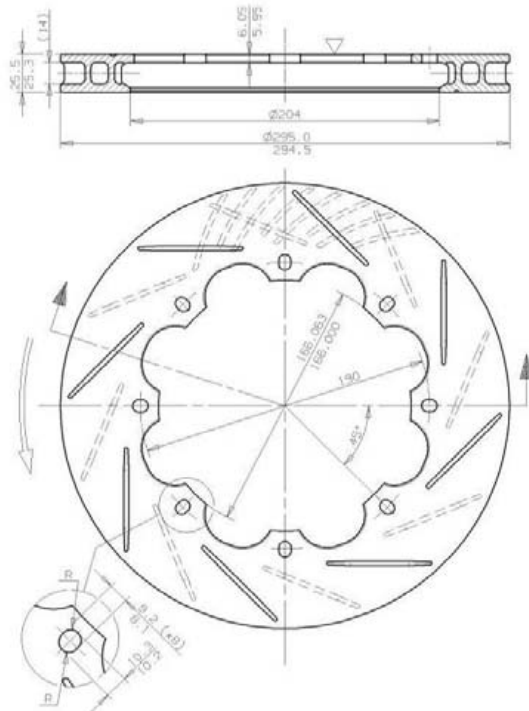




**P/N 09.7277.12/22**

**TECHNICAL SPECIFICATION**

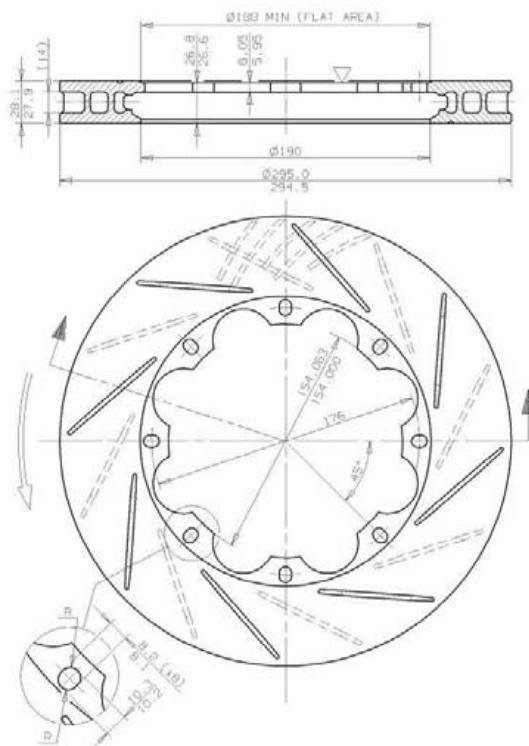
Diameter [mm]	<b>295</b>
Thickness [mm]	<b>25.4</b>
Annulus [mm]	<b>45.5</b>
Air Gap [mm]	<b>14</b>
Weight [Kg]	<b>3.9</b>
Ventilation	<b>48 vanes</b>
Offset [mm]	<b>12.7</b>
Number of Fixings	<b>8</b>
Mounting Hole Center [mm]	<b>190</b>
Inside Diameter [mm]	<b>204</b>
Flange Inside Diameter [mm]	<b>166</b>
Flange Thickness [mm]	<b>6</b>



**P/N 09.7277.10/20**

**TECHNICAL SPECIFICATION**

Diameter [mm]	<b>295</b>
Thickness [mm]	<b>28</b>
Annulus [mm]	<b>52.5</b>
Air Gap [mm]	<b>14</b>
Weight [Kg]	<b>5.1</b>
Ventilation	<b>48 vanes</b>
Offset [mm]	<b>12.7</b>
Number of Fixings	<b>8</b>
Mounting Hole Center [mm]	<b>176</b>
Inside Diameter [mm]	<b>190</b>
Flange Inside Diameter [mm]	<b>154</b>
Flange Thickness [mm]	<b>6</b>

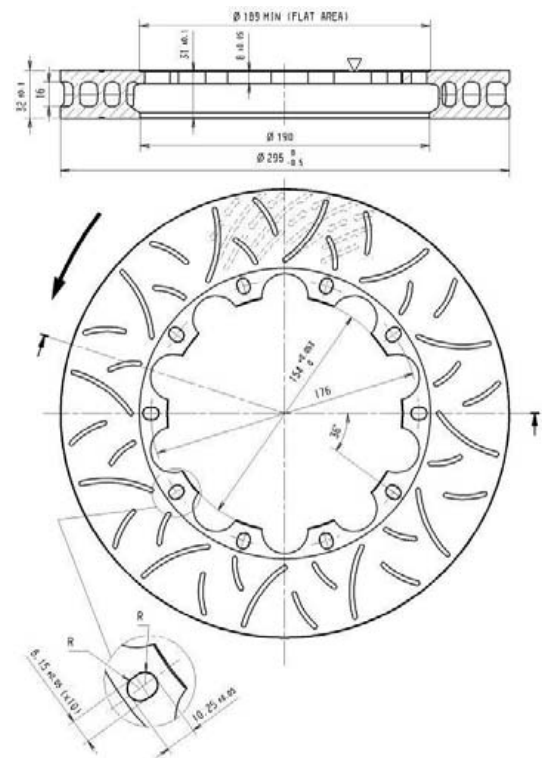




**P/N 09.9021.30/40**

**TECHNICAL SPECIFICATION**

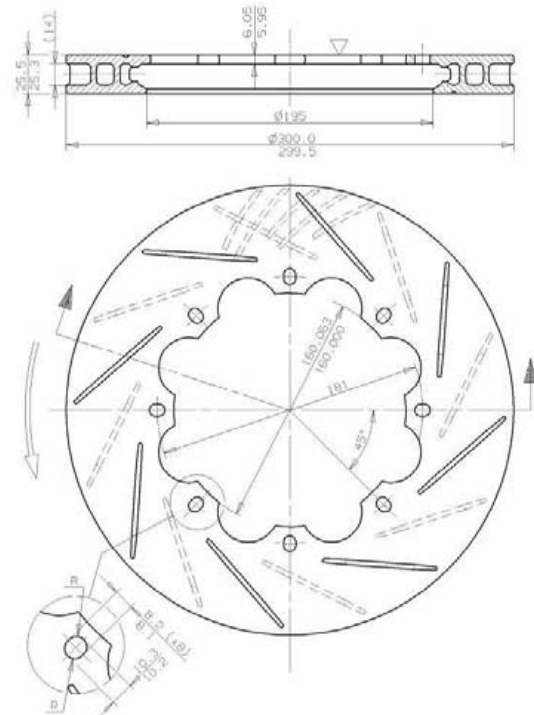
Diameter [mm]	<b>295</b>
Thickness [mm]	<b>32</b>
Annulus [mm]	<b>52.5</b>
Air Gap [mm]	<b>16</b>
Weight [Kg]	<b>6</b>
Ventilation	<b>60 vanes</b>
Offset [mm]	<b>15</b>
Number of Fixings	<b>10</b>
Mounting Hole Center [mm]	<b>176</b>
Inside Diameter [mm]	<b>190</b>
Flange Inside Diameter [mm]	<b>154</b>
Flange Thickness [mm]	<b>8</b>



**P/N 09.7277.13/23**

**TECHNICAL SPECIFICATION**

Diameter [mm]	<b>300</b>
Thickness [mm]	<b>25.4</b>
Annulus [mm]	<b>52.5</b>
Air Gap [mm]	<b>14</b>
Weight [Kg]	<b>4.5</b>
Ventilation	<b>48 vanes</b>
Offset [mm]	<b>12.7</b>
Number of Fixings	<b>8</b>
Mounting Hole Center [mm]	<b>181</b>
Inside Diameter [mm]	<b>195</b>
Flange Inside Diameter [mm]	<b>160</b>
Flange Thickness [mm]	<b>6</b>



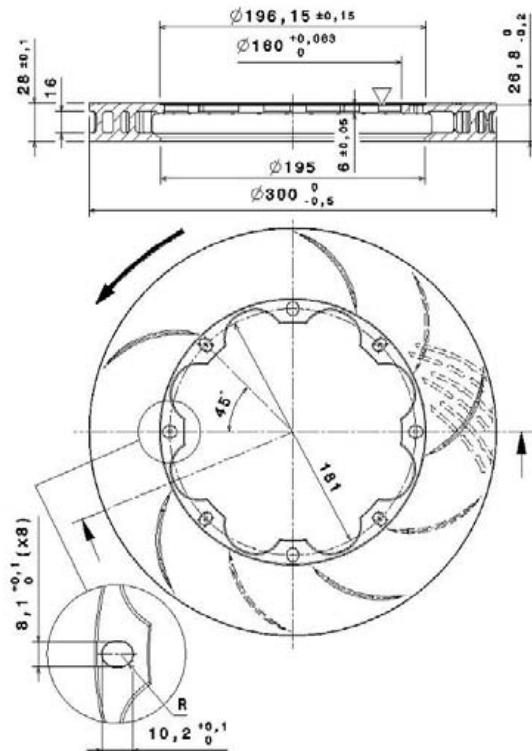




**P/N 09.9021.10/20**

**TECHNICAL SPECIFICATION**

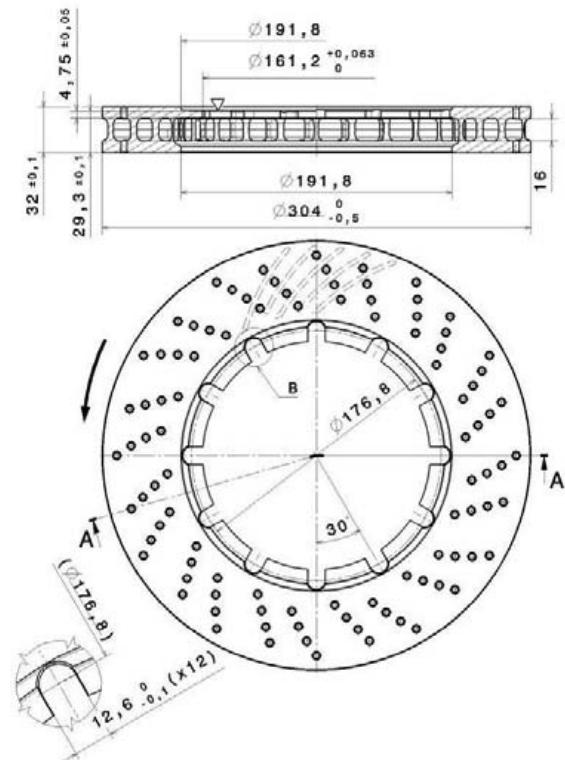
Diameter [mm]	<b>300</b>
Thickness [mm]	<b>28</b>
Annulus [mm]	<b>52.5</b>
Air Gap [mm]	<b>16</b>
Weight [Kg]	<b>5.1</b>
Ventilation	<b>60 vanes</b>
Offset [mm]	<b>12.7</b>
Number of Fixings	<b>8</b>
Mounting Hole Center [mm]	<b>181</b>
Inside Diameter [mm]	<b>195</b>
Flange Inside Diameter [mm]	<b>160</b>
Flange Thickness [mm]	<b>6</b>



**P/N XA3.33.10/11**

**TECHNICAL SPECIFICATION**

Diameter [mm]	<b>304</b>
Thickness [mm]	<b>32</b>
Annulus [mm]	<b>56.1</b>
Air Gap [mm]	<b>16</b>
Weight [Kg]	<b>~6.4</b>
Ventilation	<b>48 vanes</b>
Offset [mm]	<b>13.3</b>
Number of Fixings	<b>12</b>
Mounting Hole Center [mm]	
Inside Diameter [mm]	<b>191.8</b>
Flange Inside Diameter [mm]	<b>161.2</b>
Flange Thickness [mm]	<b>4.75</b>

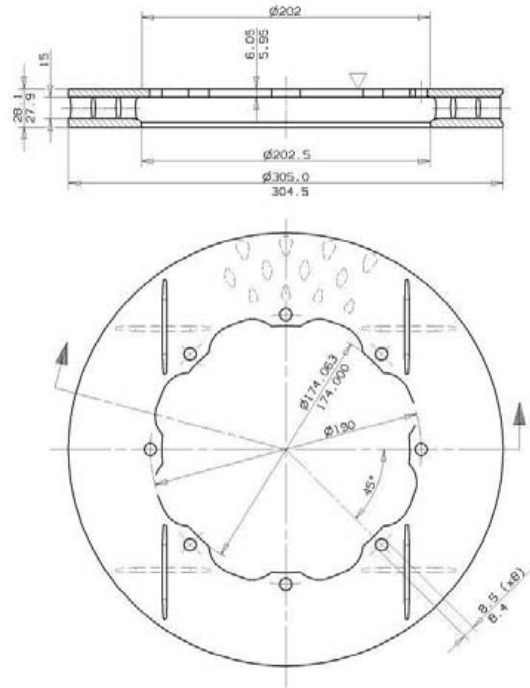




**P/N 09.5192.15**

**TECHNICAL SPECIFICATION**

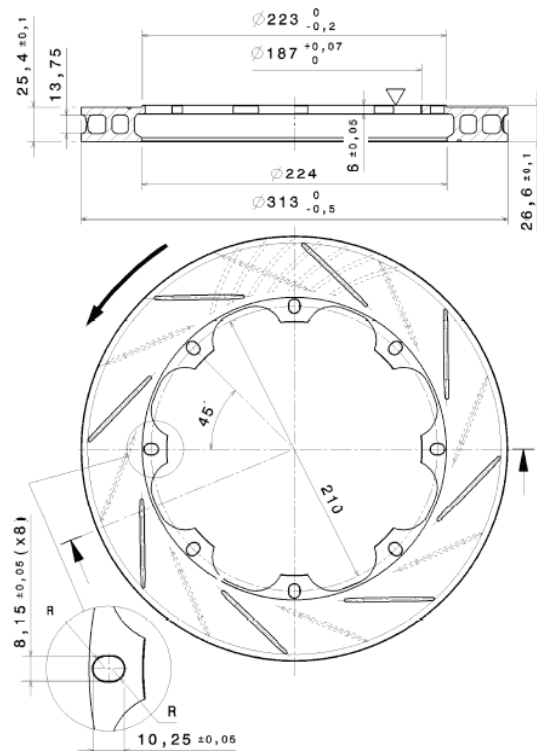
Diameter [mm]	<b>305</b>
Thickness [mm]	<b>28</b>
Annulus [mm]	<b>51.5</b>
Air Gap [mm]	<b>15</b>
Weight [Kg]	<b>4.8</b>
Ventilation	<b>pioli</b>
Offset [mm]	<b>14</b>
Number of Fixings	<b>8</b>
Mounting Hole Center [mm]	<b>190</b>
Inside Diameter [mm]	<b>202</b>
Flange Inside Diameter [mm]	<b>174</b>
Flange Thickness [mm]	<b>6</b>



**P/N 09.7277.36/46**

**TECHNICAL SPECIFICATION**

Diameter [mm]	<b>313</b>
Thickness [mm]	<b>25.4</b>
Annulus [mm]	<b>44</b>
Air Gap [mm]	<b>14</b>
Weight [Kg]	<b>4.26</b>
Ventilation	<b>48 vanes</b>
Offset [mm]	<b>13.9</b>
Number of Fixings	<b>8</b>
Mounting Hole Center [mm]	<b>210</b>
Inside Diameter [mm]	<b>225</b>
Flange Inside Diameter [mm]	<b>187</b>
Flange Thickness [mm]	<b>6</b>

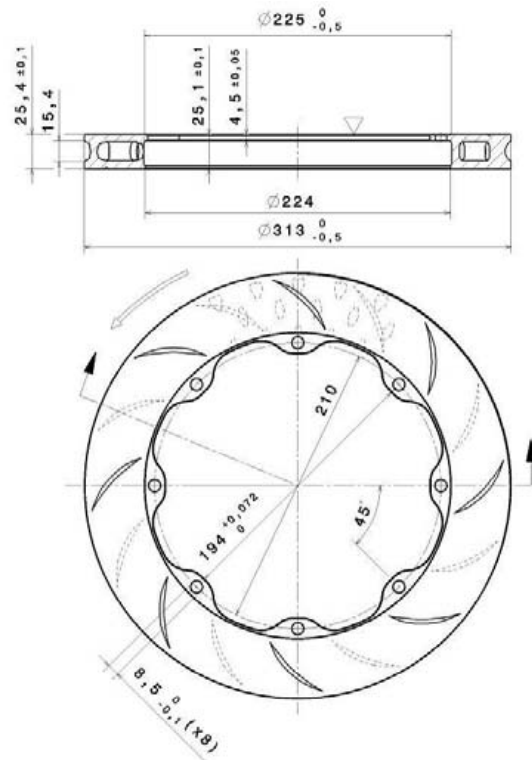




**P/N 09.9221.55/65**

**TECHNICAL SPECIFICATION**

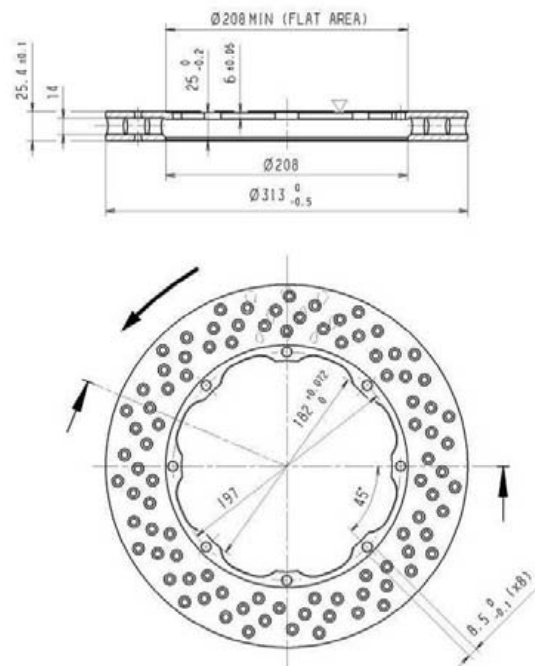
Diameter [mm]	<b>313</b>
Thickness [mm]	<b>25.4</b>
Annulus [mm]	<b>44.5</b>
Air Gap [mm]	<b>14</b>
Weight [Kg]	
Ventilation	<b>pioli</b>
Offset [mm]	<b>12.4</b>
Number of Fixings	<b>8</b>
Mounting Hole Center [mm]	<b>210</b>
Inside Diameter [mm]	<b>224</b>
Flange Inside Diameter [mm]	<b>194</b>
Flange Thickness [mm]	<b>4.5</b>



**P/N X9.066.08**

**TECHNICAL SPECIFICATION**

Diameter [mm]	<b>313</b>
Thickness [mm]	<b>25.4</b>
Annulus [mm]	<b>52</b>
Air Gap [mm]	<b>14</b>
Weight [Kg]	<b>~ 4.</b>
Ventilation	<b>pioli</b>
Offset [mm]	<b>12.2</b>
Number of Fixings	<b>8</b>
Mounting Hole Center [mm]	<b>197</b>
Inside Diameter [mm]	<b>209</b>
Flange Inside Diameter [mm]	<b>182</b>
Flange Thickness [mm]	<b>6</b>

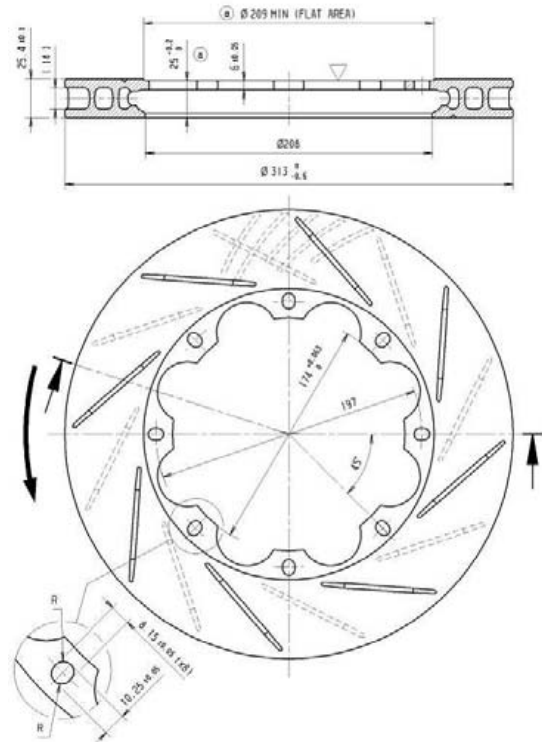




**P/N 09.7277.35/45**

**TECHNICAL SPECIFICATION**

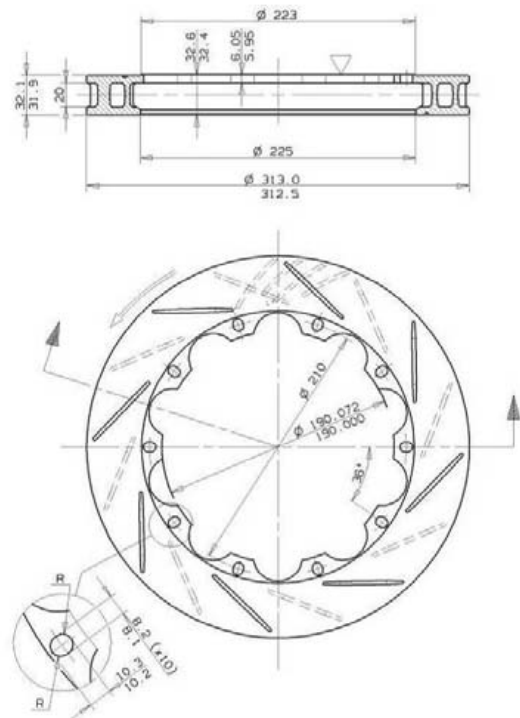
Diameter [mm]	<b>313</b>
Thickness [mm]	<b>25.4</b>
Annulus [mm]	<b>52.5</b>
Air Gap [mm]	<b>14</b>
Weight [Kg]	<b>4.55</b>
Ventilation	<b>48 vanes</b>
Offset [mm]	<b>12.7</b>
Number of Fixings	<b>8</b>
Mounting Hole Center [mm]	<b>197</b>
Inside Diameter [mm]	<b>208</b>
Flange Inside Diameter [mm]	<b>174</b>
Flange Thickness [mm]	<b>6</b>



**P/N 09.5900.71/81**

**TECHNICAL SPECIFICATION**

Diameter [mm]	<b>313</b>
Thickness [mm]	<b>32</b>
Annulus [mm]	<b>44</b>
Air Gap [mm]	<b>20</b>
Weight [Kg]	<b>4.65</b>
Ventilation	<b>48 vanes</b>
Offset [mm]	<b>16.5</b>
Number of Fixings	<b>10</b>
Mounting Hole Center [mm]	<b>210</b>
Inside Diameter [mm]	<b>225</b>
Flange Inside Diameter [mm]	<b>190</b>
Flange Thickness [mm]	<b>6</b>

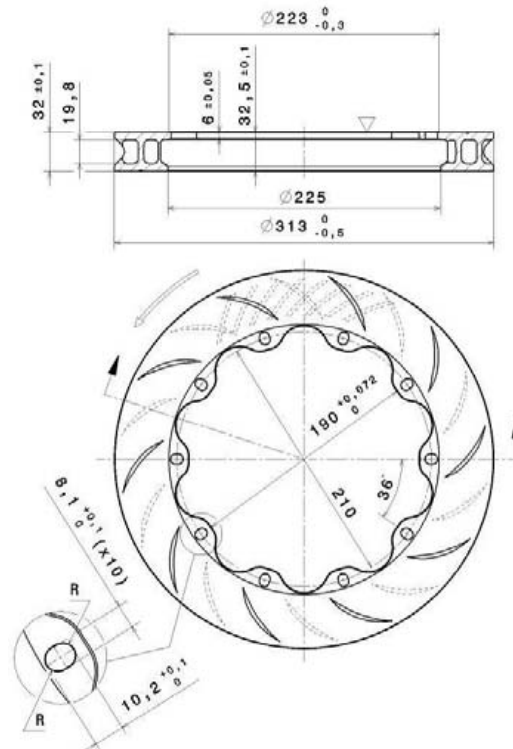




**P/N 09.9222.71/81**

**TECHNICAL SPECIFICATION**

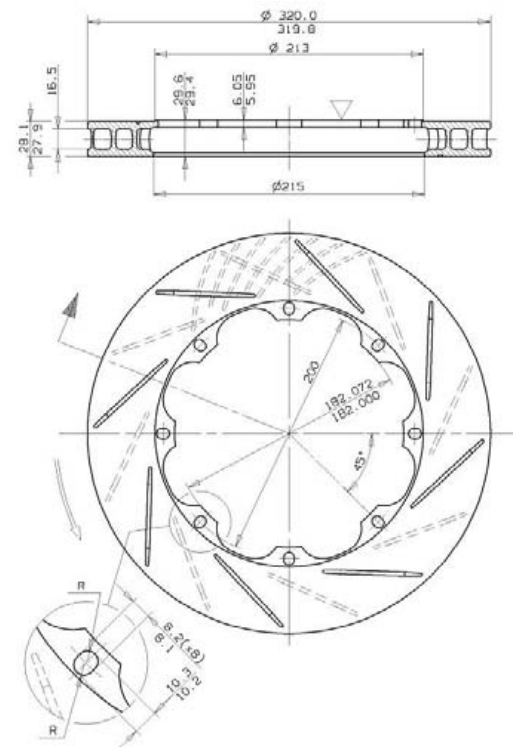
Diameter [mm]	<b>313</b>
Thickness [mm]	<b>32</b>
Annulus [mm]	<b>44</b>
Air Gap [mm]	<b>19.8</b>
Weight [Kg]	
Ventilation	<b>48 vanes</b>
Offset [mm]	<b>16.5</b>
Number of Fixings	<b>10</b>
Mounting Hole Center [mm]	<b>210</b>
Inside Diameter [mm]	<b>225</b>
Flange Inside Diameter [mm]	<b>190</b>
Flange Thickness [mm]	<b>6</b>



**P/N 09.5682.50/60**

**TECHNICAL SPECIFICATION**

Diameter [mm]	<b>320</b>
Thickness [mm]	<b>28</b>
Annulus [mm]	<b>52.5</b>
Air Gap [mm]	<b>16.5</b>
Weight [Kg]	<b>5.2</b>
Ventilation	<b>48 vanes</b>
Offset [mm]	<b>15.5</b>
Number of Fixings	<b>8</b>
Mounting Hole Center [mm]	<b>200</b>
Inside Diameter [mm]	<b>215</b>
Flange Inside Diameter [mm]	<b>182</b>
Flange Thickness [mm]	<b>6</b>

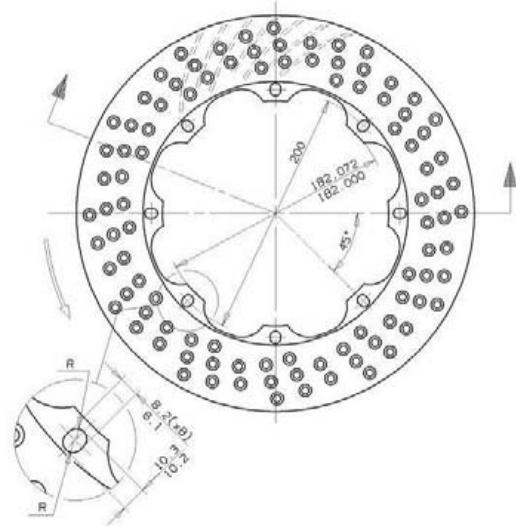
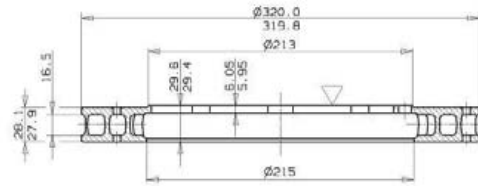




**P/N 09.5682.55/65**

**TECHNICAL SPECIFICATION**

Diameter [mm]	<b>320</b>
Thickness [mm]	<b>28</b>
Annulus [mm]	<b>52.5</b>
Air Gap [mm]	<b>16.5</b>
Weight [Kg]	<b>5</b>
Ventilation	<b>48 vanes</b>
Offset [mm]	<b>15.5</b>
Number of Fixings	<b>8</b>
Mounting Hole Center [mm]	<b>200</b>
Inside Diameter [mm]	<b>215</b>
Flange Inside Diameter [mm]	<b>182</b>
Flange Thickness [mm]	<b>6</b>

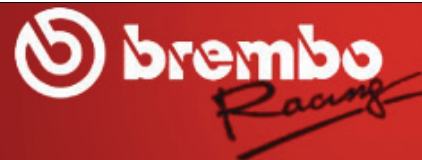


**P/N XA6.D7.01/02**

**TECHNICAL SPECIFICATION**

Diameter [mm]	<b>320</b>
Thickness [mm]	<b>28</b>
Annulus [mm]	<b>52.5</b>
Air Gap [mm]	<b>16.5</b>
Weight [Kg]	<b>5.15</b>
Ventilation	<b>48 vanes</b>
Offset [mm]	<b>15.5</b>
Number of Fixings	<b>12</b>
Mounting Hole Center [mm]	<b>201</b>
Inside Diameter [mm]	<b>215</b>
Flange Inside Diameter [mm]	<b>189</b>
Flange Thickness [mm]	<b>6</b>

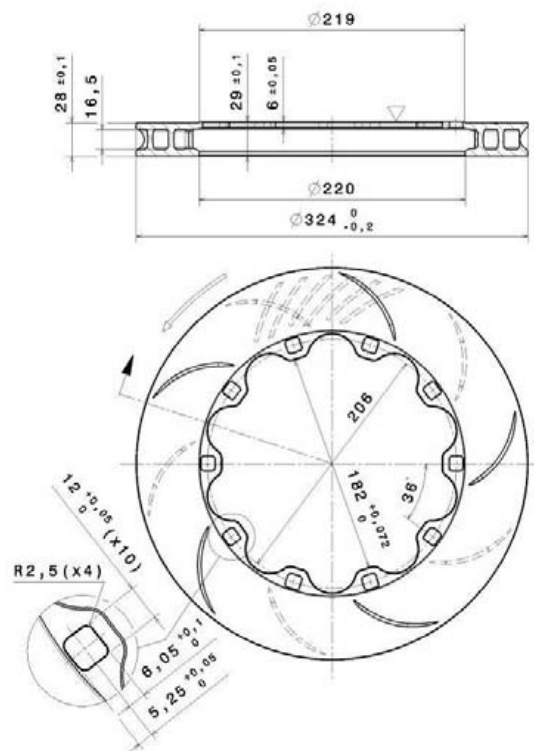
DRAWING  
NOT  
AVAILABLE



**P/N 09.9226.12/22**

**TECHNICAL SPECIFICATION**

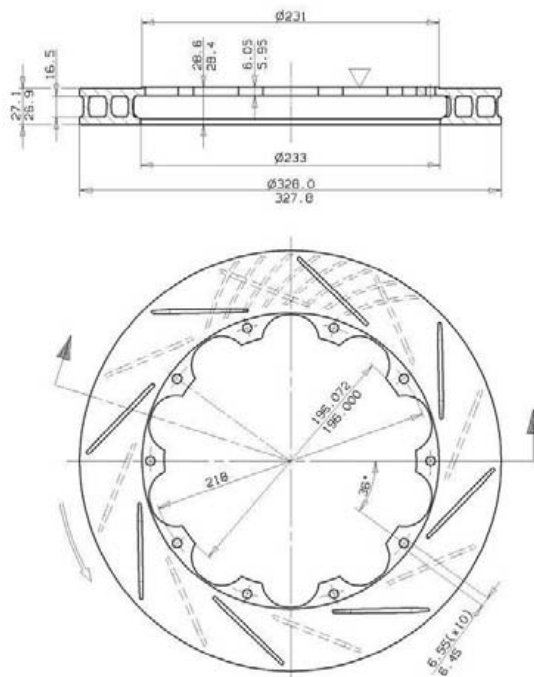
Diameter [mm]	<b>324</b>
Thickness [mm]	<b>28</b>
Annulus [mm]	<b>54</b>
Air Gap [mm]	<b>16.5</b>
Weight [Kg]	<b>5.24</b>
Ventilation	<b>48 vanes</b>
Offset [mm]	<b>15</b>
Number of Fixings	<b>10</b>
Mounting Hole Center [mm]	<b>202</b>
Inside Diameter [mm]	<b>216</b>
Flange Inside Diameter [mm]	<b>178</b>
Flange Thickness [mm]	<b>6</b>



**P/N 09.5682.51/61**

**TECHNICAL SPECIFICATION**

Diameter [mm]	<b>328</b>
Thickness [mm]	<b>27</b>
Annulus [mm]	<b>47.5</b>
Air Gap [mm]	<b>16.5</b>
Weight [Kg]	<b>4.5</b>
Ventilation	<b>48 vanes</b>
Offset [mm]	<b>15</b>
Number of Fixings	<b>10</b>
Mounting Hole Center [mm]	<b>218</b>
Inside Diameter [mm]	<b>233</b>
Flange Inside Diameter [mm]	<b>196</b>
Flange Thickness [mm]	<b>6</b>

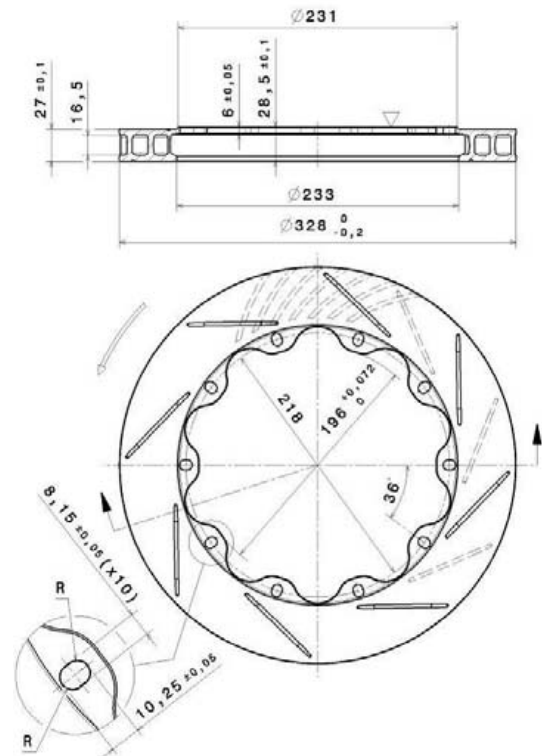




**P/N 09.5682.56/66**

**TECHNICAL SPECIFICATION**

Diameter [mm]	<b>328</b>
Thickness [mm]	<b>27</b>
Annulus [mm]	<b>47.5</b>
Air Gap [mm]	<b>16.5</b>
Weight [Kg]	<b>4.7</b>
Ventilation	<b>48 vanes</b>
Offset [mm]	<b>15</b>
Number of Fixings	<b>10</b>
Mounting Hole Center [mm]	<b>218</b>
Inside Diameter [mm]	<b>233</b>
Flange Inside Diameter [mm]	<b>196</b>
Flange Thickness [mm]	<b>6</b>



**P/N XA3.41.18/28**

**TECHNICAL SPECIFICATION**

Diameter [mm]	<b>328</b>
Thickness [mm]	<b>28</b>
Annulus [mm]	<b>53.5</b>
Air Gap [mm]	
Weight [Kg]	<b>5.65</b>
Ventilation	
Offset [mm]	<b>15</b>
Number of Fixings	<b>10</b>
Mounting Hole Center [mm]	<b>206</b>
Inside Diameter [mm]	<b>221</b>
Flange Inside Diameter [mm]	<b>184</b>
Flange Thickness [mm]	<b>6</b>

DRAWING  
NOT  
AVAILABLE

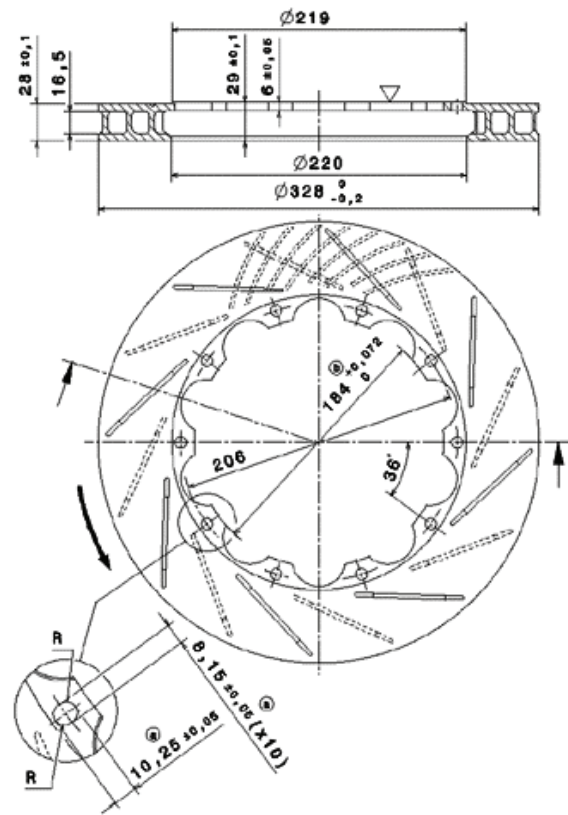




**P/N 09.5682.10/20**

**TECHNICAL SPECIFICATION**

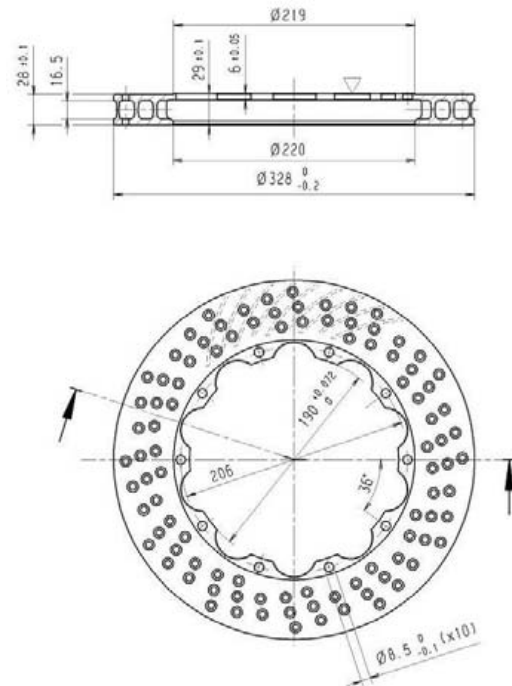
Diameter [mm]	<b>328</b>
Thickness [mm]	<b>28</b>
Annulus [mm]	<b>54</b>
Air Gap [mm]	<b>16.5</b>
Weight [Kg]	<b>5.3</b>
Ventilation	<b>48 vanes</b>
Offset [mm]	<b>15</b>
Number of Fixings	<b>10</b>
Mounting Hole Center [mm]	<b>206</b>
Inside Diameter [mm]	<b>220</b>
Flange Inside Diameter [mm]	<b>184</b>
Flange Thickness [mm]	<b>6</b>



**P/N 09.5682.15/25**

**TECHNICAL SPECIFICATION**

Diameter [mm]	<b>328</b>
Thickness [mm]	<b>28</b>
Annulus [mm]	<b>54</b>
Air Gap [mm]	<b>16.5</b>
Weight [Kg]	<b>5.1</b>
Ventilation	<b>48 vanes</b>
Offset [mm]	<b>15</b>
Number of Fixings	<b>10</b>
Mounting Hole Center [mm]	<b>206</b>
Inside Diameter [mm]	<b>220</b>
Flange Inside Diameter [mm]	<b>190</b>
Flange Thickness [mm]	<b>6</b>

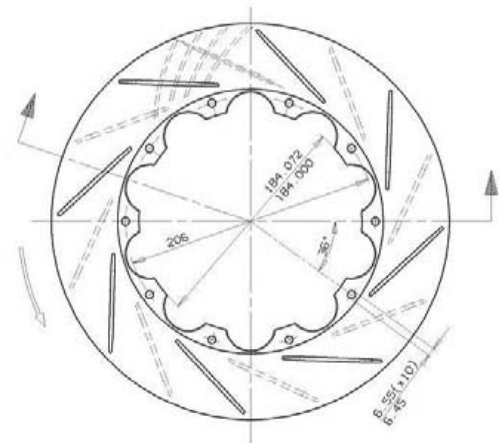
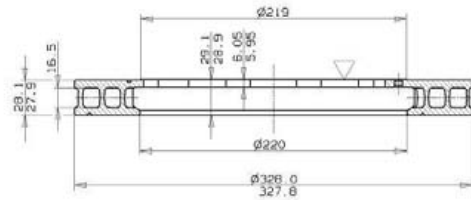




**P/N 09.5682.52/62**

**TECHNICAL SPECIFICATION**

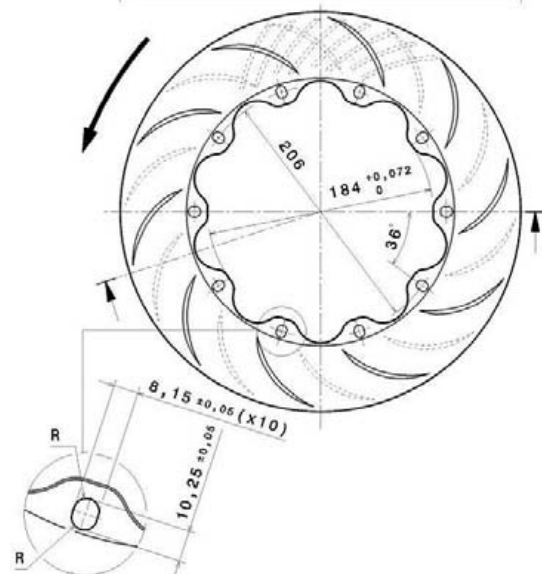
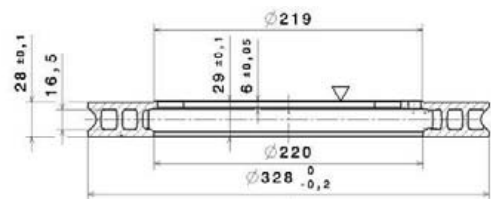
Diameter [mm]	<b>328</b>
Thickness [mm]	<b>28</b>
Annulus [mm]	<b>54</b>
Air Gap [mm]	<b>16.5</b>
Weight [Kg]	<b>5.5</b>
Ventilation	<b>48 vanes</b>
Offset [mm]	<b>15</b>
Number of Fixings	<b>10</b>
Mounting Hole Center [mm]	<b>206</b>
Inside Diameter [mm]	<b>220</b>
Flange Inside Diameter [mm]	<b>184</b>
Flange Thickness [mm]	<b>6</b>



**P/N 09.9226.10/20**

**TECHNICAL SPECIFICATION**

Diameter [mm]	<b>328</b>
Thickness [mm]	<b>28</b>
Annulus [mm]	<b>54</b>
Air Gap [mm]	<b>16.5</b>
Weight [Kg]	<b>5.3</b>
Ventilation	<b>48 vanes</b>
Offset [mm]	<b>15</b>
Number of Fixings	<b>10</b>
Mounting Hole Center [mm]	<b>206</b>
Inside Diameter [mm]	<b>220</b>
Flange Inside Diameter [mm]	<b>184</b>
Flange Thickness [mm]	<b>6</b>

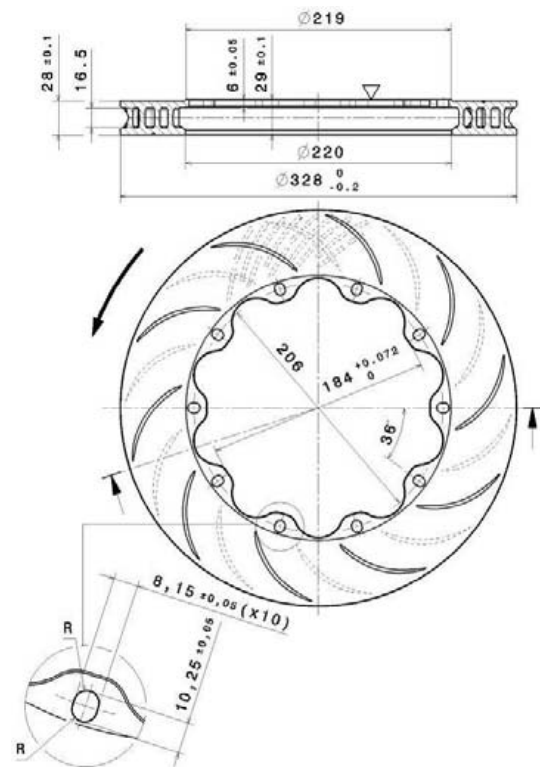




**P/N 09.9228.13/23**

**TECHNICAL SPECIFICATION**

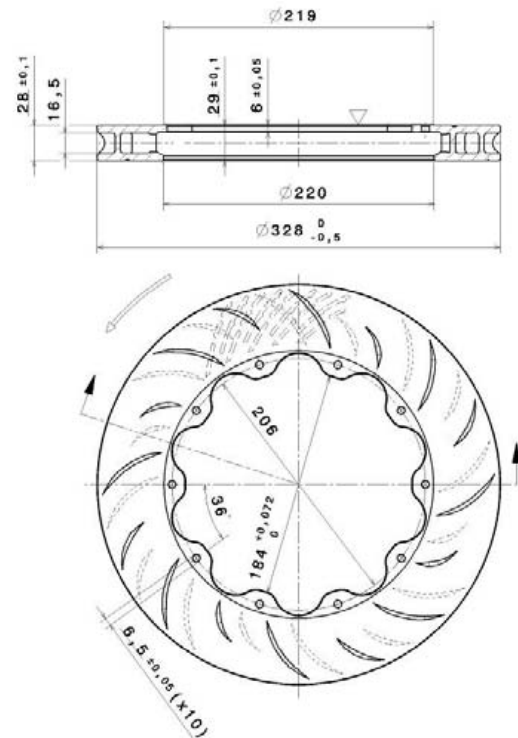
Diameter [mm]	<b>328</b>
Thickness [mm]	<b>28</b>
Annulus [mm]	<b>54</b>
Air Gap [mm]	<b>16.5</b>
Weight [Kg]	
Ventilation	<b>72 vanes</b>
Offset [mm]	<b>15</b>
Number of Fixings	<b>10</b>
Mounting Hole Center [mm]	<b>206</b>
Inside Diameter [mm]	<b>220</b>
Flange Inside Diameter [mm]	<b>184</b>
Flange Thickness [mm]	<b>6</b>



**P/N 09.9228.18/28**

**TECHNICAL SPECIFICATION**

Diameter [mm]	<b>328</b>
Thickness [mm]	<b>28</b>
Annulus [mm]	<b>54</b>
Air Gap [mm]	<b>16.5</b>
Weight [Kg]	
Ventilation	<b>72 vanes</b>
Offset [mm]	<b>15</b>
Number of Fixings	<b>10</b>
Mounting Hole Center [mm]	<b>206</b>
Inside Diameter [mm]	<b>220</b>
Flange Inside Diameter [mm]	<b>184</b>
Flange Thickness [mm]	<b>6</b>

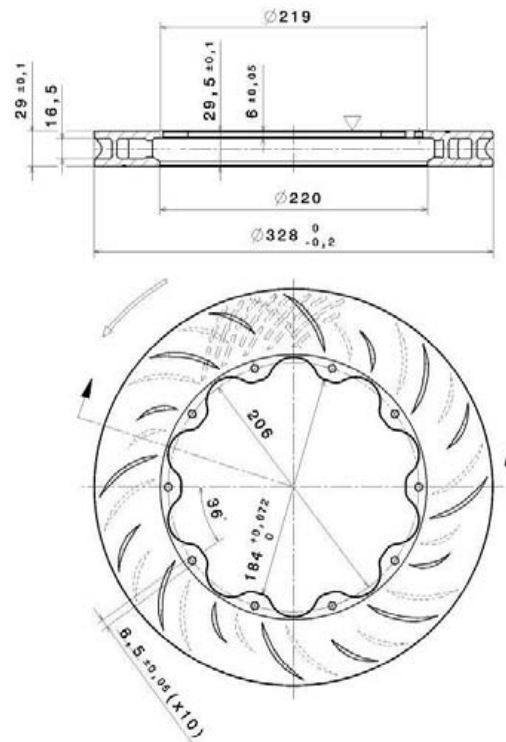




**P/N 09.9228.16/26**

**TECHNICAL SPECIFICATION**

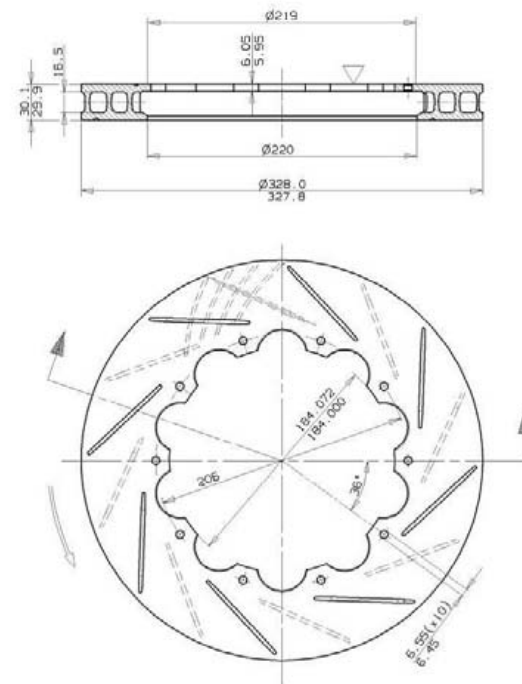
Diameter [mm]	<b>328</b>
Thickness [mm]	<b>29</b>
Annulus [mm]	<b>54</b>
Air Gap [mm]	<b>16.5</b>
Weight [Kg]	
Ventilation	<b>72 vanes</b>
Offset [mm]	<b>15</b>
Number of Fixings	<b>10</b>
Mounting Hole Center [mm]	<b>206</b>
Inside Diameter [mm]	<b>220</b>
Flange Inside Diameter [mm]	<b>184</b>
Flange Thickness [mm]	<b>6</b>



**P/N 09.5682.17/27**

**TECHNICAL SPECIFICATION**

Diameter [mm]	<b>328</b>
Thickness [mm]	<b>30</b>
Annulus [mm]	<b>54</b>
Air Gap [mm]	<b>16.5</b>
Weight [Kg]	<b>6</b>
Ventilation	<b>48 vanes</b>
Offset [mm]	<b>15</b>
Number of Fixings	<b>10</b>
Mounting Hole Center [mm]	<b>206</b>
Inside Diameter [mm]	<b>220</b>
Flange Inside Diameter [mm]	<b>184</b>
Flange Thickness [mm]	<b>6</b>

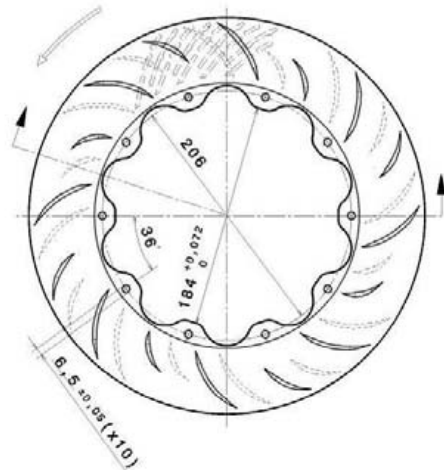
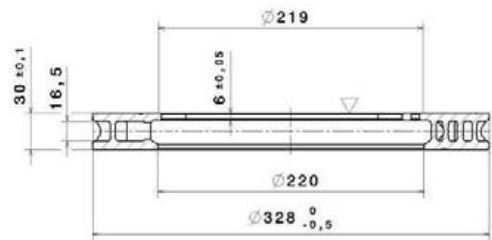




**P/N 09.9228.17/27**

**TECHNICAL SPECIFICATION**

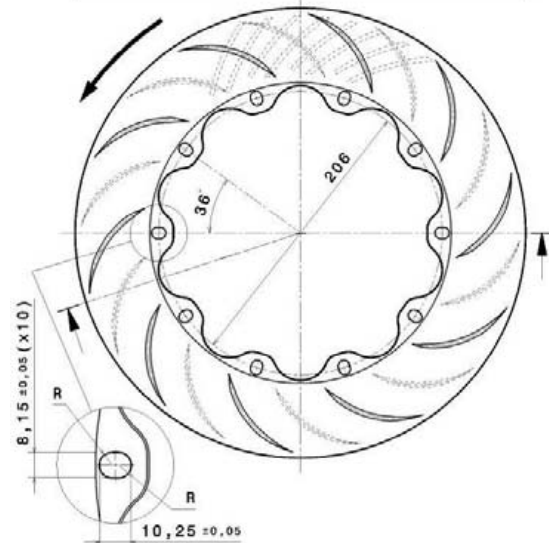
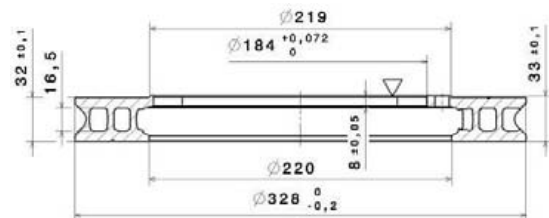
Diameter [mm]	<b>328</b>
Thickness [mm]	<b>30</b>
Annulus [mm]	<b>54</b>
Air Gap [mm]	<b>16.5</b>
Weight [Kg]	
Ventilation	<b>72 vanes</b>
Offset [mm]	<b>15</b>
Number of Fixings	<b>10</b>
Mounting Hole Center [mm]	<b>206</b>
Inside Diameter [mm]	<b>220</b>
Flange Inside Diameter [mm]	<b>184</b>
Flange Thickness [mm]	<b>6</b>



**P/N 09.9226.39/49**

**TECHNICAL SPECIFICATION**

Diameter [mm]	<b>328</b>
Thickness [mm]	<b>32</b>
Annulus [mm]	<b>54</b>
Air Gap [mm]	<b>16.5</b>
Weight [Kg]	
Ventilation	<b>48 vanes</b>
Offset [mm]	<b>17</b>
Number of Fixings	<b>10</b>
Mounting Hole Center [mm]	<b>206</b>
Inside Diameter [mm]	<b>220</b>
Flange Inside Diameter [mm]	<b>184</b>
Flange Thickness [mm]	<b>8</b>

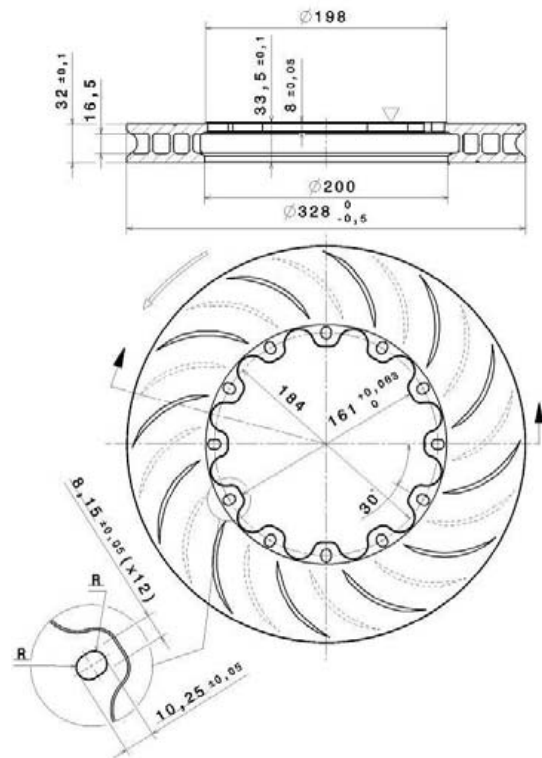




**P/N 09.9227.12/22**

**TECHNICAL SPECIFICATION**

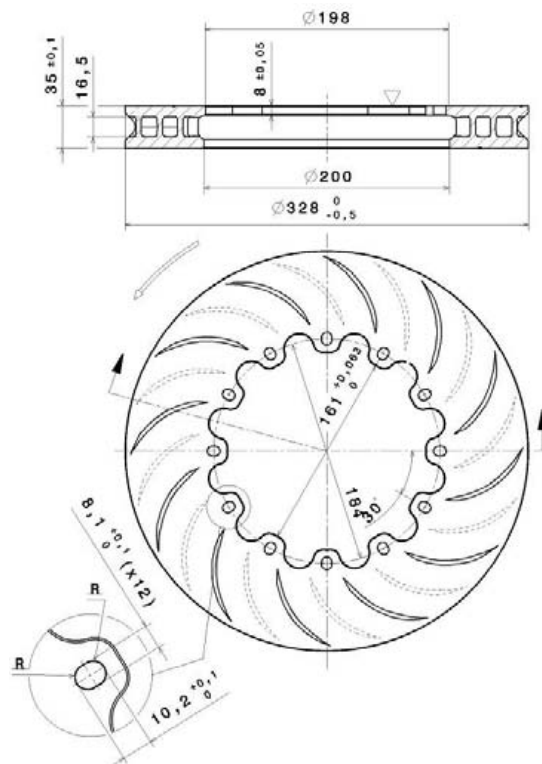
Diameter [mm]	<b>328</b>
Thickness [mm]	<b>32</b>
Annulus [mm]	<b>64</b>
Air Gap [mm]	<b>16.5</b>
Weight [Kg]	
Ventilation	<b>48 vanes</b>
Offset [mm]	<b>17.5</b>
Number of Fixings	<b>12</b>
Mounting Hole Center [mm]	<b>184</b>
Inside Diameter [mm]	<b>200</b>
Flange Inside Diameter [mm]	<b>161</b>
Flange Thickness [mm]	<b>8</b>

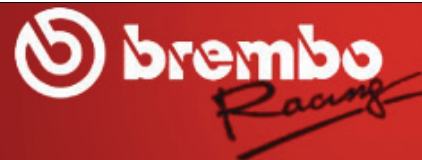


**P/N 09.9227.10/20**

**TECHNICAL SPECIFICATION**

Diameter [mm]	<b>328</b>
Thickness [mm]	<b>35</b>
Annulus [mm]	<b>64</b>
Air Gap [mm]	<b>16.5</b>
Weight [Kg]	
Ventilation	<b>48 vanes</b>
Offset [mm]	<b>17.5</b>
Number of Fixings	<b>12</b>
Mounting Hole Center [mm]	<b>184</b>
Inside Diameter [mm]	<b>200</b>
Flange Inside Diameter [mm]	<b>161</b>
Flange Thickness [mm]	<b>8</b>

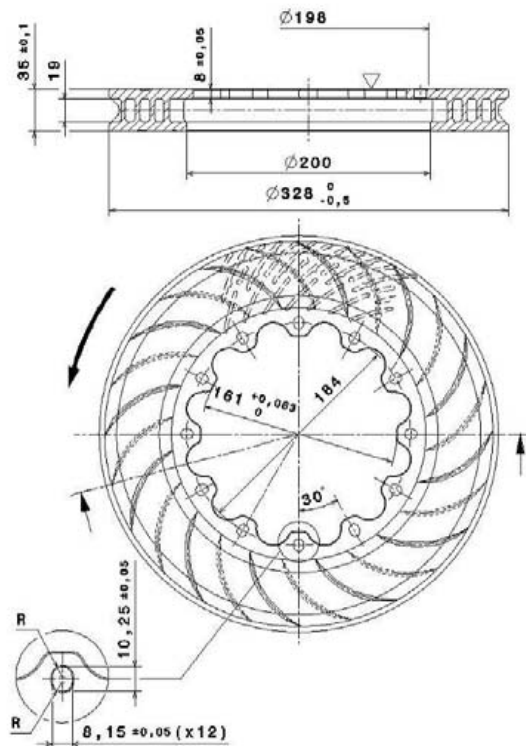




**P/N 09.9229.10/20**

**TECHNICAL SPECIFICATION**

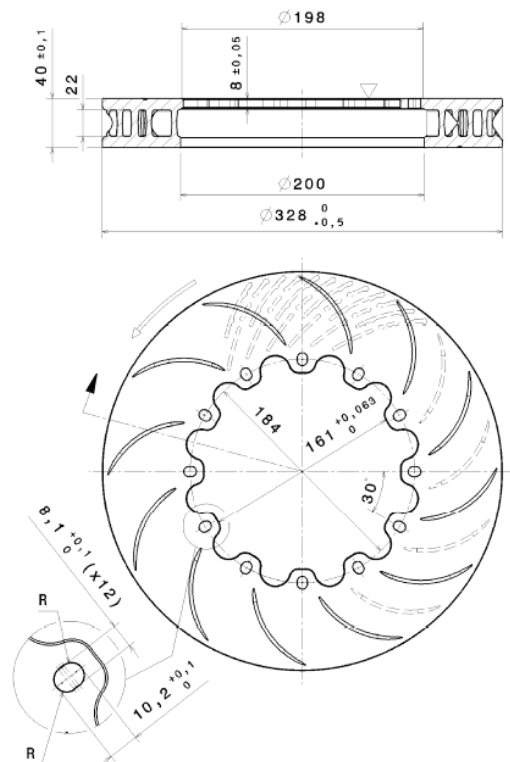
Diameter [mm]	<b>328</b>
Thickness [mm]	<b>35</b>
Annulus [mm]	<b>64</b>
Air Gap [mm]	<b>19</b>
Weight [Kg]	<b>8.3</b>
Ventilation	<b>72 vanes</b>
Offset [mm]	<b>17.5</b>
Number of Fixings	<b>12</b>
Mounting Hole Center [mm]	<b>184</b>
Inside Diameter [mm]	<b>200</b>
Flange Inside Diameter [mm]	<b>161</b>
Flange Thickness [mm]	<b>8</b>



**P/N 09.A003.10/20**

**TECHNICAL SPECIFICATION**

Diameter [mm]	<b>328</b>
Thickness [mm]	<b>40</b>
Annulus [mm]	<b>64</b>
Air Gap [mm]	<b>22</b>
Weight [Kg]	<b>9.6</b>
Ventilation	<b>72 vanes</b>
Offset [mm]	<b>20</b>
Number of Fixings	<b>12</b>
Mounting Hole Center [mm]	<b>184</b>
Inside Diameter [mm]	<b>200</b>
Flange Inside Diameter [mm]	<b>161</b>
Flange Thickness [mm]	<b>8</b>

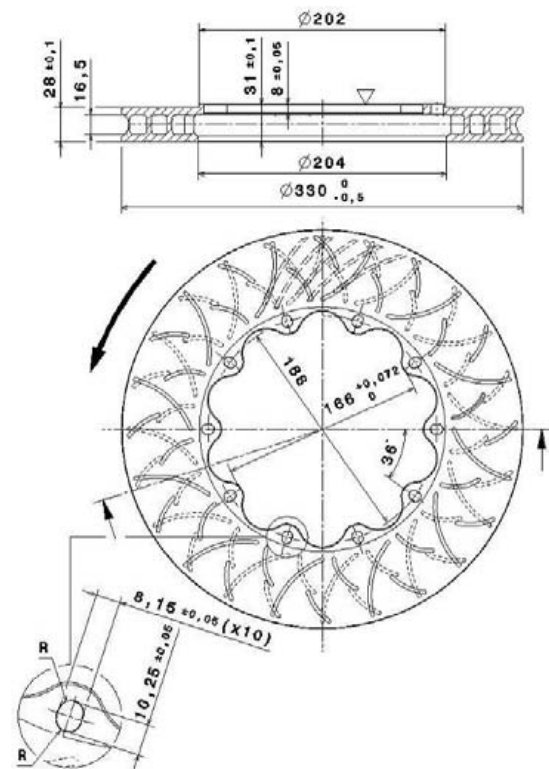




**P/N 09.8667.50/60**

**TECHNICAL SPECIFICATION**

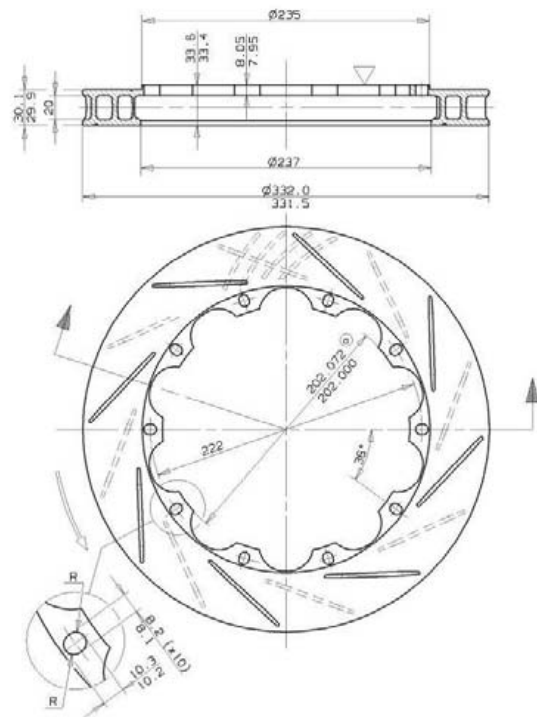
Diameter [mm]	<b>330</b>
Thickness [mm]	<b>28</b>
Annulus [mm]	<b>63</b>
Air Gap [mm]	<b>16.5</b>
Weight [Kg]	<b>7.5</b>
Ventilation	<b>48 vanes</b>
Offset [mm]	<b>17</b>
Number of Fixings	<b>10</b>
Mounting Hole Center [mm]	<b>188</b>
Inside Diameter [mm]	<b>204</b>
Flange Inside Diameter [mm]	<b>166</b>
Flange Thickness [mm]	<b>8</b>



**P/N 09.5900.51/61**

**TECHNICAL SPECIFICATION**

Diameter [mm]	<b>332</b>
Thickness [mm]	<b>30</b>
Annulus [mm]	<b>47.5</b>
Air Gap [mm]	<b>20</b>
Weight [Kg]	<b>4.6</b>
Ventilation	<b>48 vanes</b>
Offset [mm]	<b>18.5</b>
Number of Fixings	<b>10</b>
Mounting Hole Center [mm]	<b>222</b>
Inside Diameter [mm]	<b>237</b>
Flange Inside Diameter [mm]	<b>202</b>
Flange Thickness [mm]	<b>8</b>



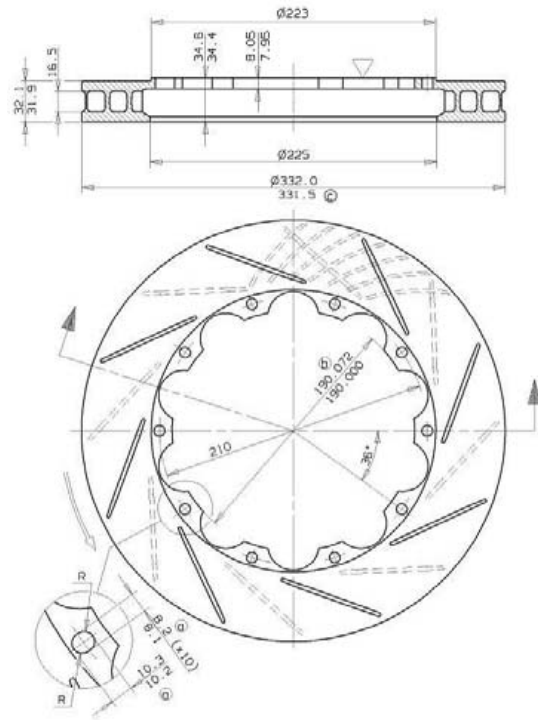




**P/N 09.5682.70/80**

**TECHNICAL SPECIFICATION**

Diameter [mm]	<b>332</b>
Thickness [mm]	<b>32</b>
Annulus [mm]	<b>53.5</b>
Air Gap [mm]	<b>16.5</b>
Weight [Kg]	<b>6.7</b>
Ventilation	<b>48 vanes</b>
Offset [mm]	<b>18.5</b>
Number of Fixings	<b>10</b>
Mounting Hole Center [mm]	<b>210</b>
Inside Diameter [mm]	<b>225</b>
Flange Inside Diameter [mm]	<b>190</b>
Flange Thickness [mm]	<b>8</b>

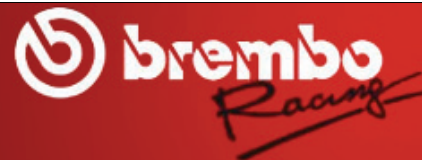


**P/N 09.5682.75/85**

**TECHNICAL SPECIFICATION**

Diameter [mm]	<b>332</b>
Thickness [mm]	<b>32</b>
Annulus [mm]	<b>53.5</b>
Air Gap [mm]	<b>16.5</b>
Weight [Kg]	<b>6.3</b>
Ventilation	<b>48 vanes</b>
Offset [mm]	<b>18.5</b>
Number of Fixings	<b>10</b>
Mounting Hole Center [mm]	<b>210</b>
Inside Diameter [mm]	<b>225</b>
Flange Inside Diameter [mm]	<b>194</b>
Flange Thickness [mm]	<b>8</b>

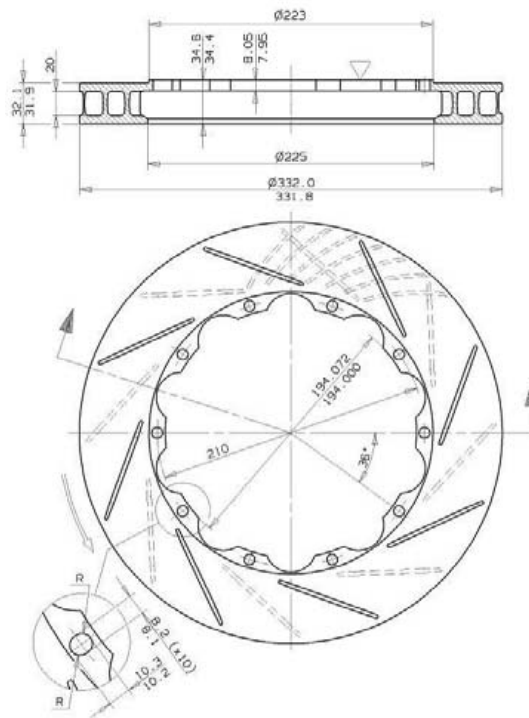
DRAWING  
NOT  
AVAILABLE



**P/N 09.5900.70/80**

**TECHNICAL SPECIFICATION**

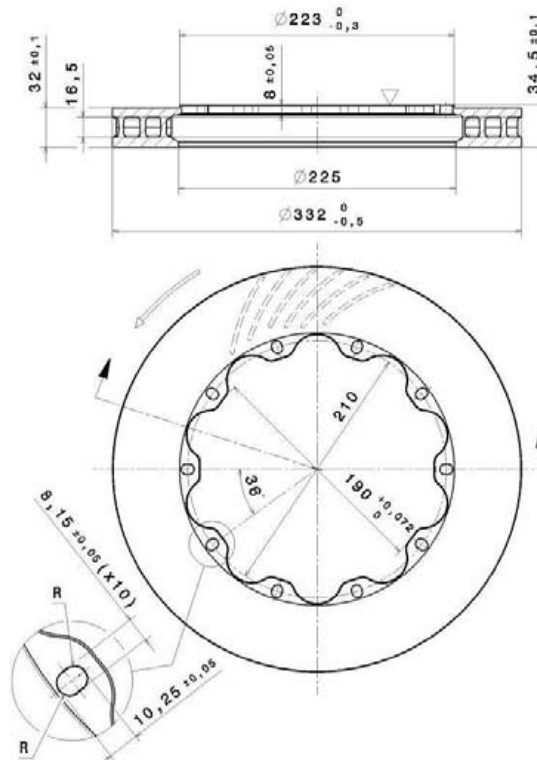
Diameter [mm]	<b>332</b>
Thickness [mm]	<b>32</b>
Annulus [mm]	<b>53.5</b>
Air Gap [mm]	<b>20</b>
Weight [Kg]	<b>5.9</b>
Ventilation	<b>48 vanes</b>
Offset [mm]	<b>18.5</b>
Number of Fixings	<b>10</b>
Mounting Hole Center [mm]	<b>210</b>
Inside Diameter [mm]	<b>225</b>
Flange Inside Diameter [mm]	<b>194</b>
Flange Thickness [mm]	<b>8</b>



**P/N 09.8666.53/63**

**TECHNICAL SPECIFICATION**

Diameter [mm]	<b>332</b>
Thickness [mm]	<b>32</b>
Annulus [mm]	<b>53.5</b>
Air Gap [mm]	<b>16.5</b>
Weight [Kg]	<b>6.9</b>
Ventilation	<b>48 vanes</b>
Offset [mm]	<b>18.5</b>
Number of Fixings	<b>10</b>
Mounting Hole Center [mm]	<b>210</b>
Inside Diameter [mm]	<b>225</b>
Flange Inside Diameter [mm]	<b>190</b>
Flange Thickness [mm]	<b>8</b>

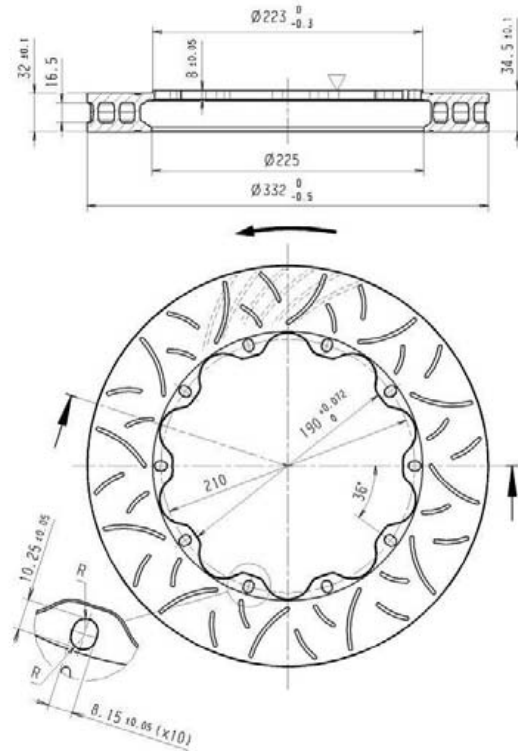




**P/N 09.8666.70/80**

**TECHNICAL SPECIFICATION**

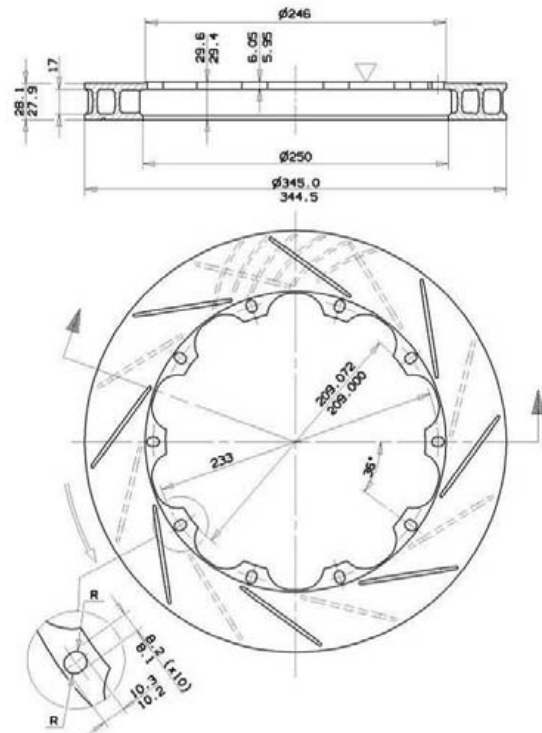
Diameter [mm]	<b>332</b>
Thickness [mm]	<b>32</b>
Annulus [mm]	<b>53.5</b>
Air Gap [mm]	<b>16.5</b>
Weight [Kg]	<b>6.5</b>
Ventilation	<b>48 vanes</b>
Offset [mm]	<b>18.5</b>
Number of Fixings	<b>10</b>
Mounting Hole Center [mm]	<b>210</b>
Inside Diameter [mm]	<b>225</b>
Flange Inside Diameter [mm]	<b>190</b>
Flange Thickness [mm]	<b>8</b>



**P/N 09.5759.36/46**

**TECHNICAL SPECIFICATION**

Diameter [mm]	<b>345</b>
Thickness [mm]	<b>28</b>
Annulus [mm]	<b>47.5</b>
Air Gap [mm]	<b>17</b>
Weight [Kg]	
Ventilation	<b>48 vanes</b>
Offset [mm]	<b>15.5</b>
Number of Fixings	<b>10</b>
Mounting Hole Center [mm]	<b>233</b>
Inside Diameter [mm]	<b>250</b>
Flange Inside Diameter [mm]	<b>209</b>
Flange Thickness [mm]	<b>6</b>

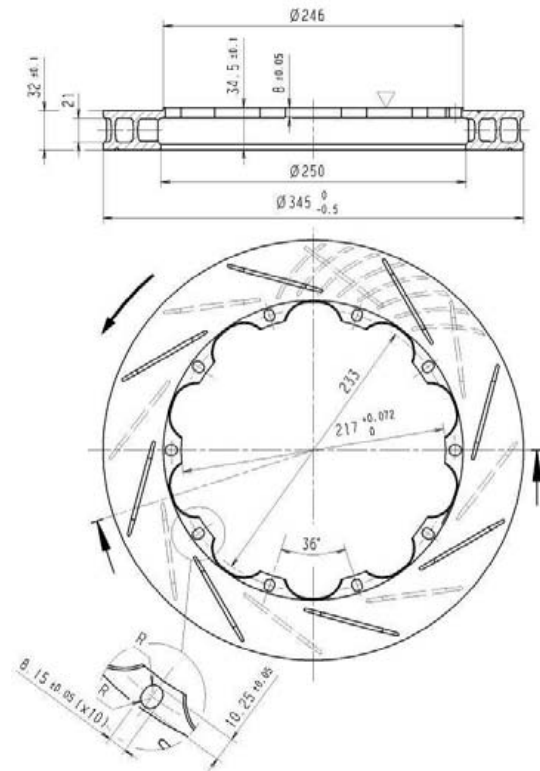




**P/N 09.5683.50/60**

**TECHNICAL SPECIFICATION**

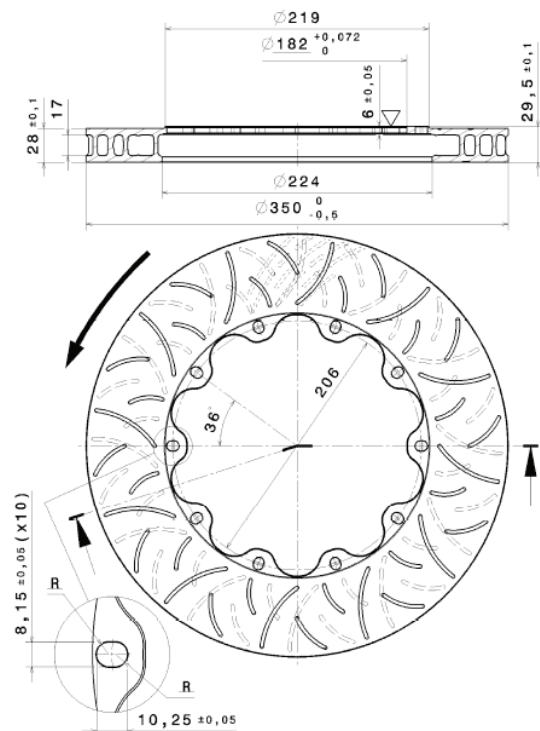
Diameter [mm]	<b>345</b>
Thickness [mm]	<b>32</b>
Annulus [mm]	<b>47.5</b>
Air Gap [mm]	<b>20</b>
Weight [Kg]	<b>5.7</b>
Ventilation	<b>48 vanes</b>
Offset [mm]	<b>18.5</b>
Number of Fixings	<b>10</b>
Mounting Hole Center [mm]	<b>233</b>
Inside Diameter [mm]	<b>250</b>
Flange Inside Diameter [mm]	<b>217</b>
Flange Thickness [mm]	<b>8</b>



**P/N 09.9306.12/22**

**TECHNICAL SPECIFICATION**

Diameter [mm]	<b>350</b>
Thickness [mm]	<b>28</b>
Annulus [mm]	<b>63</b>
Air Gap [mm]	<b>17</b>
Weight [Kg]	<b>6.56</b>
Ventilation	<b>72 vanes</b>
Offset [mm]	<b>15.5</b>
Number of Fixings	<b>10</b>
Mounting Hole Center [mm]	<b>207</b>
Inside Diameter [mm]	<b>224</b>
Flange Inside Diameter [mm]	<b>183.5</b>
Flange Thickness [mm]	<b>6</b>

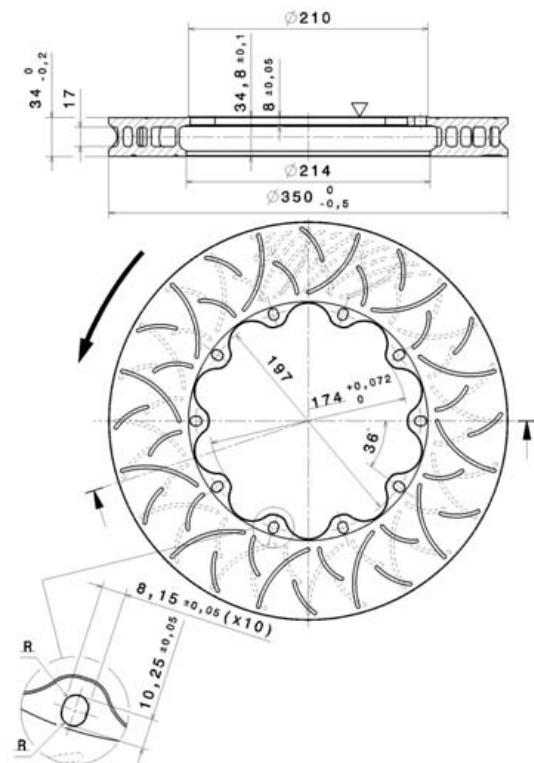




**P/N 09.9306.10/20**

**TECHNICAL SPECIFICATION**

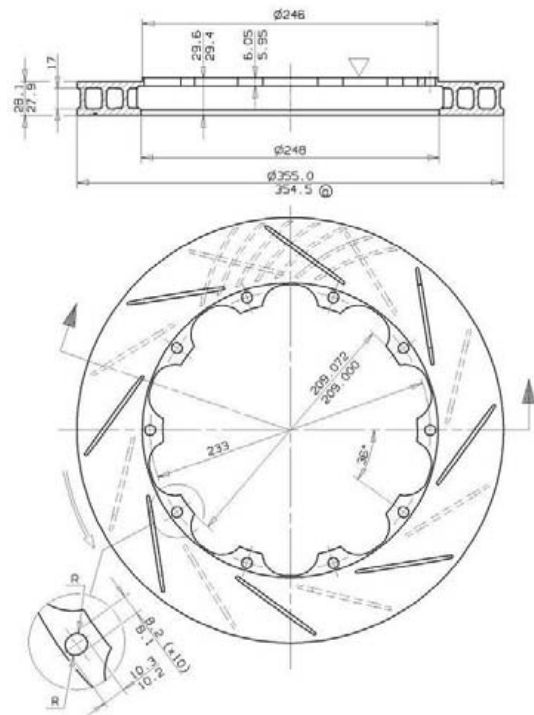
Diameter [mm]	<b>350</b>
Thickness [mm]	<b>34</b>
Annulus [mm]	<b>68</b>
Air Gap [mm]	<b>17</b>
Weight [Kg]	<b>9.3</b>
Ventilation	<b>72 vanes</b>
Offset [mm]	<b>17.9</b>
Number of Fixings	<b>10</b>
Mounting Hole Center [mm]	<b>197</b>
Inside Diameter [mm]	<b>214</b>
Flange Inside Diameter [mm]	<b>174</b>
Flange Thickness [mm]	<b>8</b>



**P/N 09.5759.17/27**

**TECHNICAL SPECIFICATION**

Diameter [mm]	<b>355</b>
Thickness [mm]	<b>28</b>
Annulus [mm]	<b>53.5</b>
Air Gap [mm]	<b>17</b>
Weight [Kg]	<b>5.5</b>
Ventilation	<b>48 vanes</b>
Offset [mm]	<b>15.5</b>
Number of Fixings	<b>10</b>
Mounting Hole Center [mm]	<b>233</b>
Inside Diameter [mm]	<b>248</b>
Flange Inside Diameter [mm]	<b>209</b>
Flange Thickness [mm]	<b>6</b>

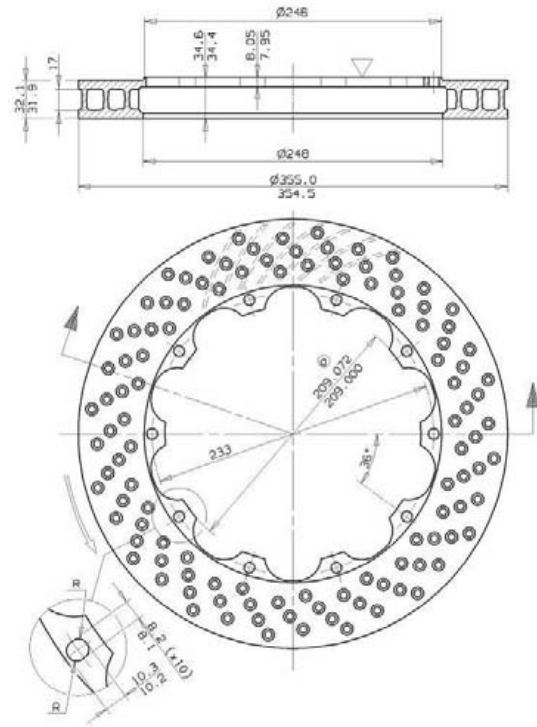




**P/N 09.5759.35/45**

**TECHNICAL SPECIFICATION**

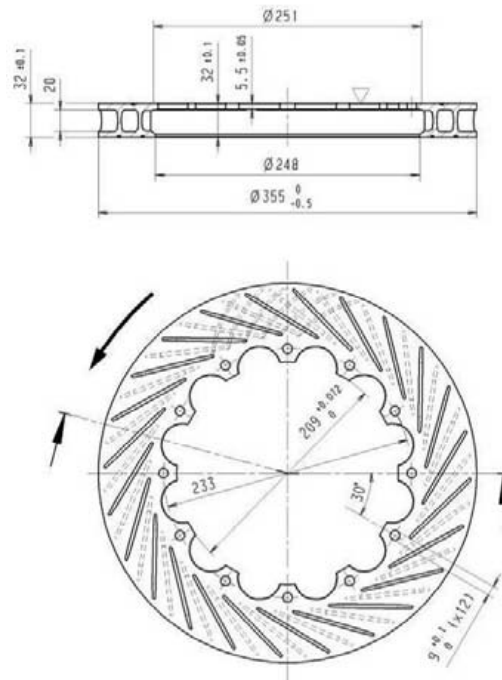
Diameter [mm]	<b>355</b>
Thickness [mm]	<b>32</b>
Annulus [mm]	<b>53.5</b>
Air Gap [mm]	<b>17</b>
Weight [Kg]	<b>6</b>
Ventilation	<b>48 vanes</b>
Offset [mm]	<b>18.5</b>
Number of Fixings	<b>10</b>
Mounting Hole Center [mm]	<b>233</b>
Inside Diameter [mm]	<b>248</b>
Flange Inside Diameter [mm]	<b>209</b>
Flange Thickness [mm]	<b>8</b>



**P/N 09.5883.10/20**

**TECHNICAL SPECIFICATION**

Diameter [mm]	<b>355</b>
Thickness [mm]	<b>32</b>
Annulus [mm]	<b>53.5</b>
Air Gap [mm]	<b>20</b>
Weight [Kg]	<b>6.2</b>
Ventilation	<b>48 vanes</b>
Offset [mm]	<b>16</b>
Number of Fixings	<b>12</b>
Mounting Hole Center [mm]	<b>233</b>
Inside Diameter [mm]	<b>248</b>
Flange Inside Diameter [mm]	<b>209</b>
Flange Thickness [mm]	<b>5.5</b>

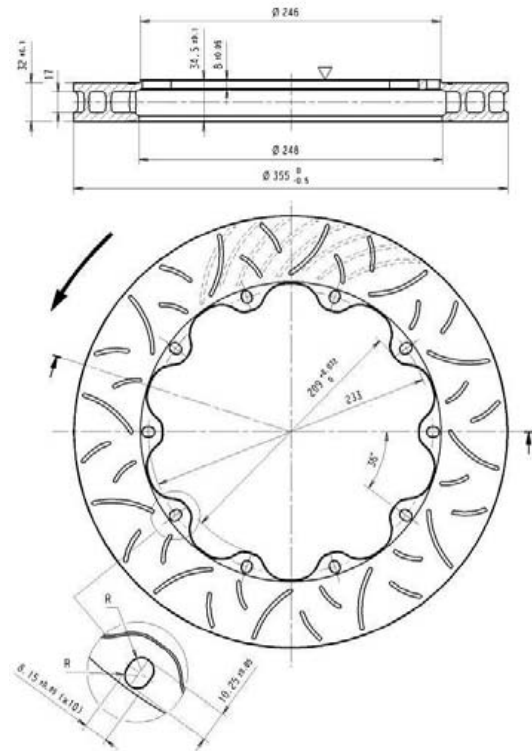




**P/N 09.8673.13/23**

**TECHNICAL SPECIFICATION**

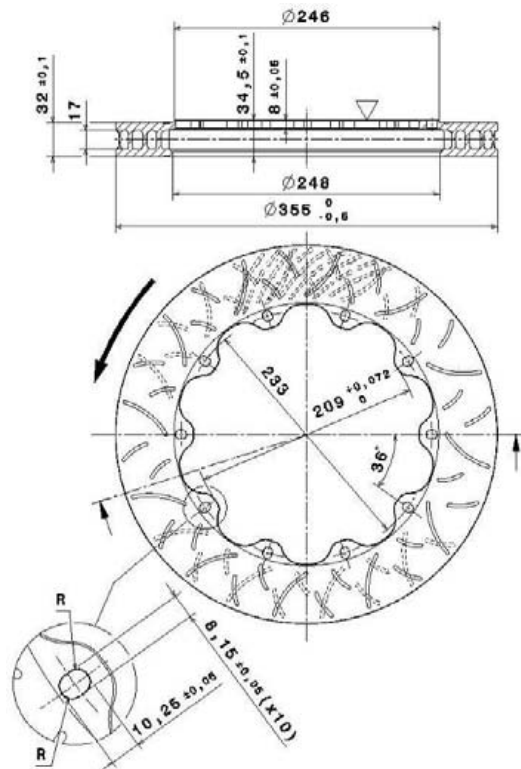
Diameter [mm]	<b>355</b>
Thickness [mm]	<b>32</b>
Annulus [mm]	<b>53.5</b>
Air Gap [mm]	<b>17</b>
Weight [Kg]	<b>7</b>
Ventilation	<b>48 vanes</b>
Offset [mm]	<b>18.5</b>
Number of Fixings	<b>10</b>
Mounting Hole Center [mm]	<b>233</b>
Inside Diameter [mm]	<b>248</b>
Flange Inside Diameter [mm]	<b>209</b>
Flange Thickness [mm]	<b>8</b>



**P/N 09.9306.11/21**

**TECHNICAL SPECIFICATION**

Diameter [mm]	<b>355</b>
Thickness [mm]	<b>32</b>
Annulus [mm]	<b>53.5</b>
Air Gap [mm]	<b>17</b>
Weight [Kg]	<b>7.4</b>
Ventilation	<b>72 vanes</b>
Offset [mm]	<b>18.5</b>
Number of Fixings	<b>10</b>
Mounting Hole Center [mm]	<b>233</b>
Inside Diameter [mm]	<b>248</b>
Flange Inside Diameter [mm]	<b>209</b>
Flange Thickness [mm]	<b>8</b>

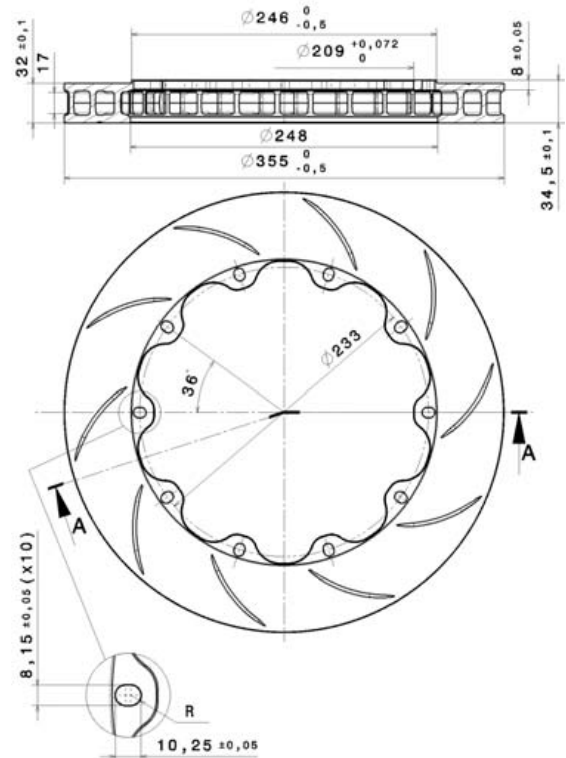




**P/N 09.A026.13/23**

**TECHNICAL SPECIFICATION**

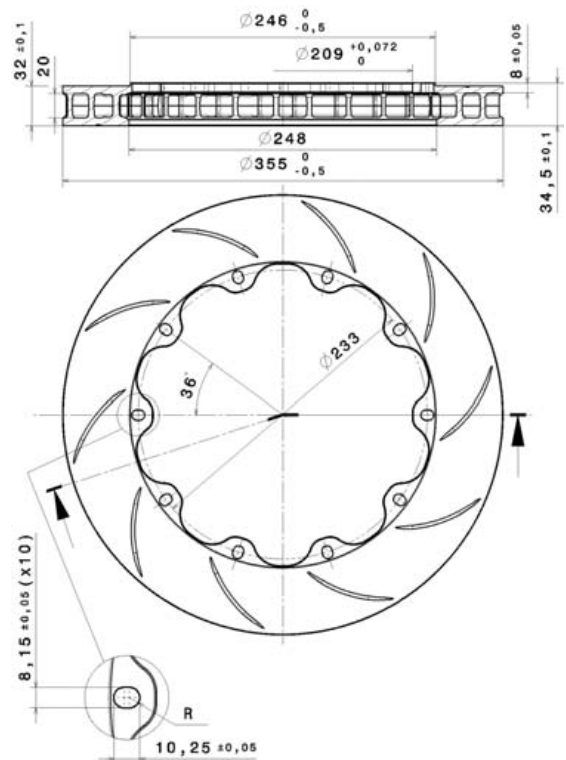
Diameter [mm]	<b>355</b>
Thickness [mm]	<b>32</b>
Annulus [mm]	<b>53.5</b>
Air Gap [mm]	<b>17</b>
Weight [Kg]	
Ventilation	<b>48 vanes</b>
Offset [mm]	<b>18.5</b>
Number of Fixings	<b>10</b>
Mounting Hole Center [mm]	<b>233</b>
Inside Diameter [mm]	<b>248</b>
Flange Inside Diameter [mm]	<b>209</b>
Flange Thickness [mm]	<b>8</b>



**P/N 09.A027.13/23**

**TECHNICAL SPECIFICATION**

Diameter [mm]	<b>355</b>
Thickness [mm]	<b>32</b>
Annulus [mm]	<b>53.5</b>
Air Gap [mm]	<b>20</b>
Weight [Kg]	
Ventilation	<b>48 vanes</b>
Offset [mm]	<b>18.5</b>
Number of Fixings	<b>10</b>
Mounting Hole Center [mm]	<b>233</b>
Inside Diameter [mm]	<b>248</b>
Flange Inside Diameter [mm]	<b>209</b>
Flange Thickness [mm]	<b>8</b>



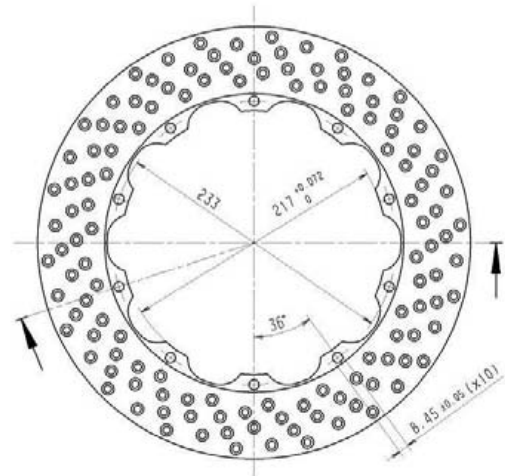
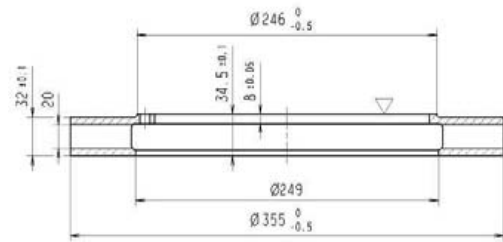




**P/N X7.049.19**

**TECHNICAL SPECIFICATION**

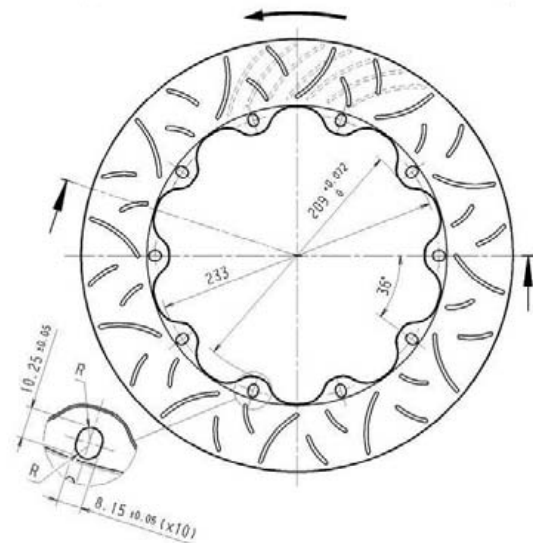
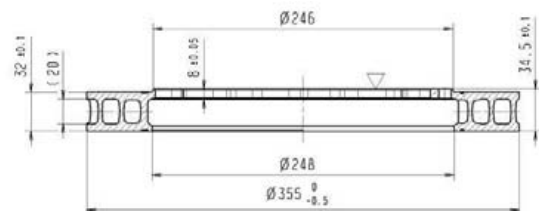
Diameter [mm]	<b>355</b>
Thickness [mm]	<b>32</b>
Annulus [mm]	<b>53.5</b>
Air Gap [mm]	<b>20</b>
Weight [Kg]	<b>6.2</b>
Ventilation	<b>pioli</b>
Offset [mm]	<b>18.5</b>
Number of Fixings	<b>10</b>
Mounting Hole Center [mm]	<b>233</b>
Inside Diameter [mm]	<b>248</b>
Flange Inside Diameter [mm]	<b>217</b>
Flange Thickness [mm]	<b>8</b>



**P/N XA2.91.34/35**

**TECHNICAL SPECIFICATION**

Diameter [mm]	<b>355</b>
Thickness [mm]	<b>32</b>
Annulus [mm]	<b>53.5</b>
Air Gap [mm]	<b>20</b>
Weight [Kg]	<b>6.3</b>
Ventilation	<b>48 vanes</b>
Offset [mm]	<b>18.5</b>
Number of Fixings	<b>10</b>
Mounting Hole Center [mm]	<b>233</b>
Inside Diameter [mm]	<b>248</b>
Flange Inside Diameter [mm]	<b>209</b>
Flange Thickness [mm]	<b>8</b>

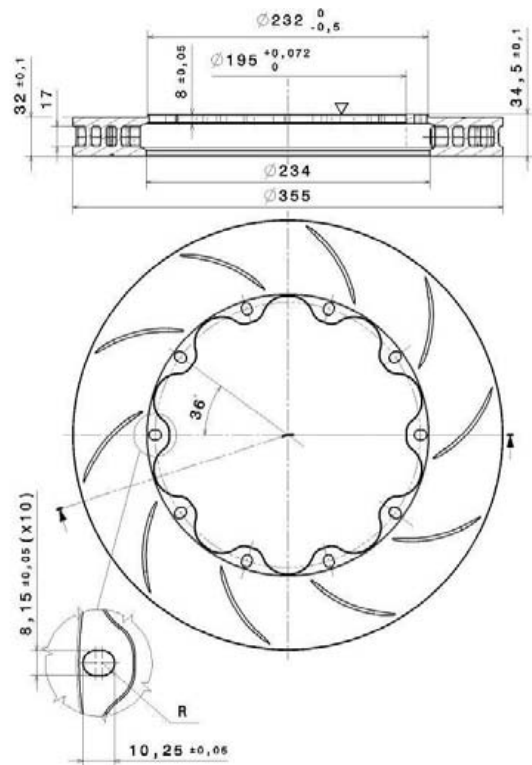




**P/N 09.9404.12/22**

**TECHNICAL SPECIFICATION**

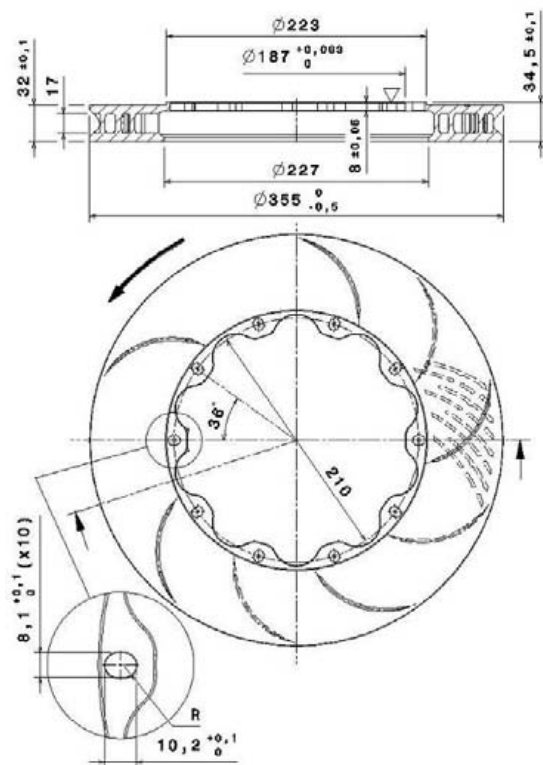
Diameter [mm]	<b>355</b>
Thickness [mm]	<b>32</b>
Annulus [mm]	<b>60.5</b>
Air Gap [mm]	<b>17</b>
Weight [Kg]	<b>8.14</b>
Ventilation	<b>72 vanes</b>
Offset [mm]	<b>18.5</b>
Number of Fixings	<b>10</b>
Mounting Hole Center [mm]	<b>219</b>
Inside Diameter [mm]	<b>234</b>
Flange Inside Diameter [mm]	<b>196</b>
Flange Thickness [mm]	<b>8</b>



**P/N 09.9306.30/40**

**TECHNICAL SPECIFICATION**

Diameter [mm]	<b>355</b>
Thickness [mm]	<b>32</b>
Annulus [mm]	<b>64</b>
Air Gap [mm]	<b>17</b>
Weight [Kg]	<b>8.35</b>
Ventilation	<b>72 vanes</b>
Offset [mm]	<b>18.5</b>
Number of Fixings	<b>10</b>
Mounting Hole Center [mm]	<b>210</b>
Inside Diameter [mm]	<b>227</b>
Flange Inside Diameter [mm]	<b>187</b>
Flange Thickness [mm]	<b>8</b>





**P/N 09.9306.50/60**

**TECHNICAL SPECIFICATION**

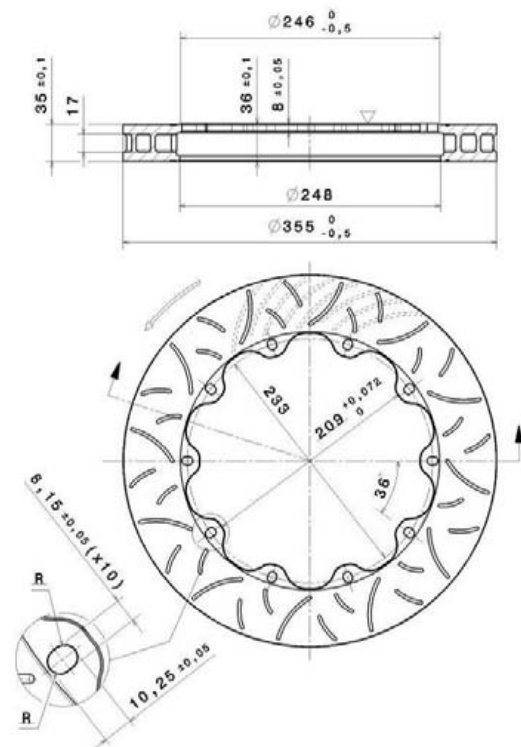
Diameter [mm]	<b>355</b>
Thickness [mm]	<b>32</b>
Annulus [mm]	<b>64</b>
Air Gap [mm]	<b>17</b>
Weight [Kg]	<b>8.4</b>
Ventilation	<b>72 vanes</b>
Offset [mm]	<b>18.5</b>
Number of Fixings	<b>10</b>
Mounting Hole Center [mm]	<b>210</b>
Inside Diameter [mm]	<b>227</b>
Flange Inside Diameter [mm]	<b>187</b>
Flange Thickness [mm]	<b>8</b>

DRAWING  
NOT  
AVAILABLE

**P/N 09.9204.14/24**

**TECHNICAL SPECIFICATION**

Diameter [mm]	<b>355</b>
Thickness [mm]	<b>35</b>
Annulus [mm]	<b>53.5</b>
Air Gap [mm]	<b>17</b>
Weight [Kg]	<b>8</b>
Ventilation	<b>48 vanes</b>
Offset [mm]	<b>18.5</b>
Number of Fixings	<b>10</b>
Mounting Hole Center [mm]	<b>233</b>
Inside Diameter [mm]	<b>248</b>
Flange Inside Diameter [mm]	<b>209</b>
Flange Thickness [mm]	<b>8</b>

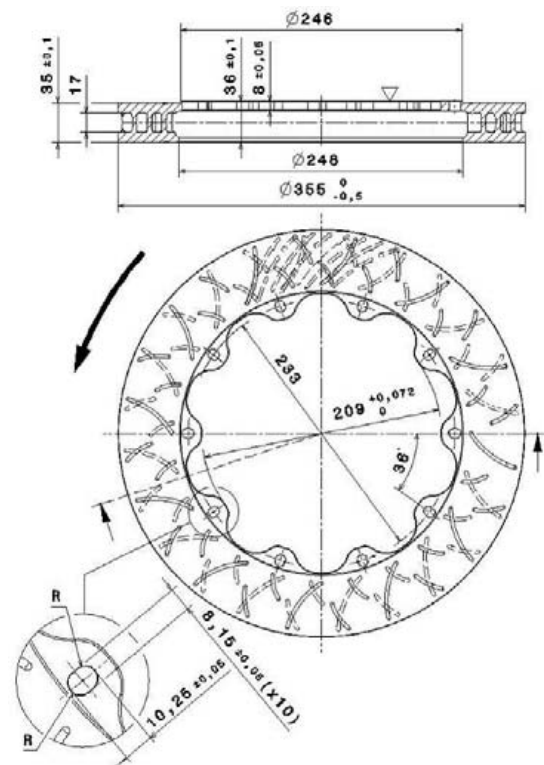




**P/N 09.9306.14/24**

**TECHNICAL SPECIFICATION**

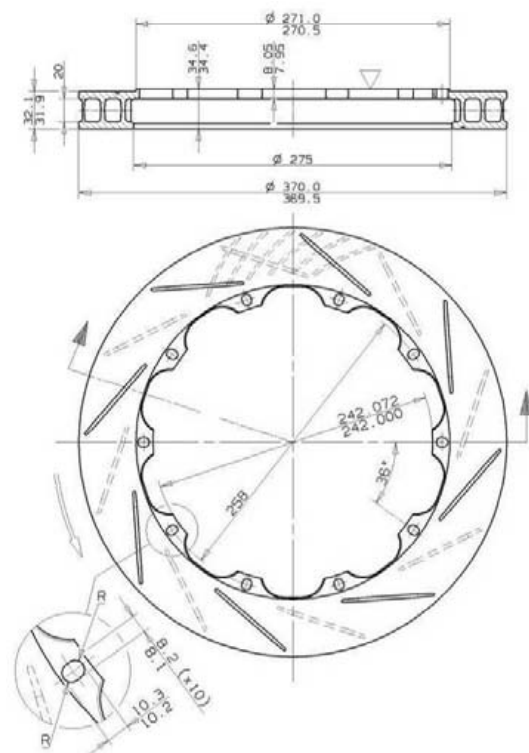
Diameter [mm]	<b>355</b>
Thickness [mm]	<b>35</b>
Annulus [mm]	<b>53.5</b>
Air Gap [mm]	<b>17</b>
Weight [Kg]	<b>8.6</b>
Ventilation	<b>72 vanes</b>
Offset [mm]	<b>18.5</b>
Number of Fixings	<b>10</b>
Mounting Hole Center [mm]	<b>233</b>
Inside Diameter [mm]	<b>248</b>
Flange Inside Diameter [mm]	<b>209</b>
Flange Thickness [mm]	<b>8</b>



**P/N 09.5683.76/86**

**TECHNICAL SPECIFICATION**

Diameter [mm]	<b>370</b>
Thickness [mm]	<b>32</b>
Annulus [mm]	<b>47.5</b>
Air Gap [mm]	<b>20</b>
Weight [Kg]	<b>5.7</b>
Ventilation	<b>48 vanes</b>
Offset [mm]	<b>18.5</b>
Number of Fixings	<b>10</b>
Mounting Hole Center [mm]	<b>258</b>
Inside Diameter [mm]	<b>275</b>
Flange Inside Diameter [mm]	<b>242</b>
Flange Thickness [mm]	<b>8</b>

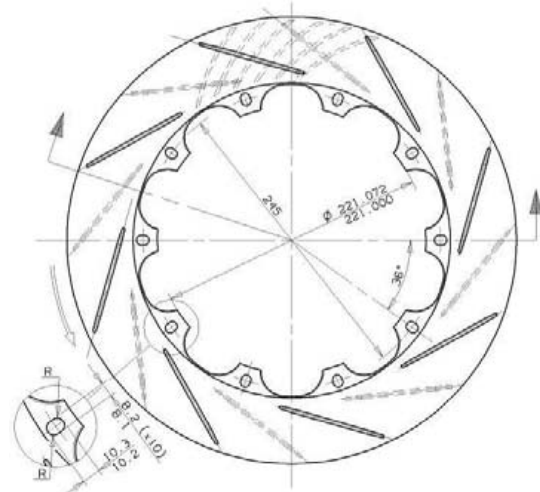
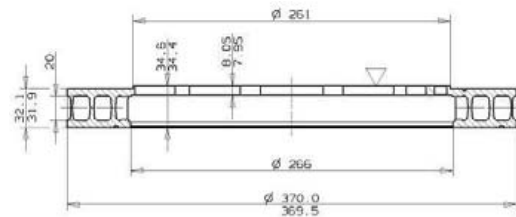




**P/N 09.5683.77/87**

**TECHNICAL SPECIFICATION**

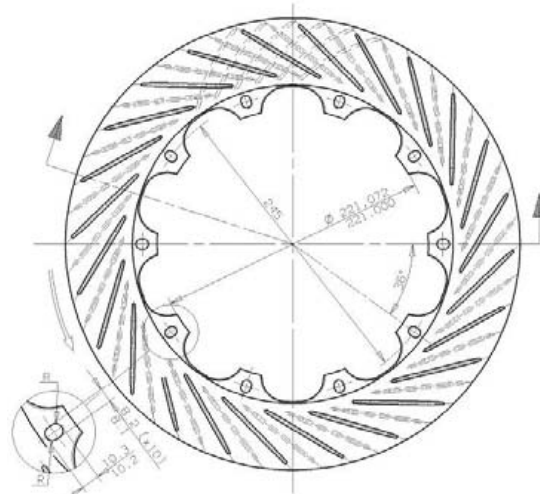
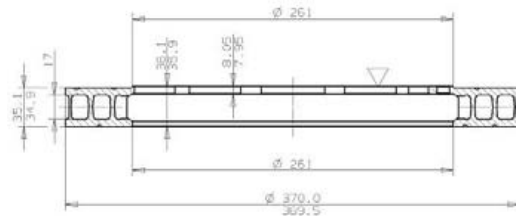
Diameter [mm]	<b>370</b>
Thickness [mm]	<b>32</b>
Annulus [mm]	<b>52.5</b>
Air Gap [mm]	<b>20</b>
Weight [Kg]	<b>6.75</b>
Ventilation	<b>48 vanes</b>
Offset [mm]	<b>18.5</b>
Number of Fixings	<b>10</b>
Mounting Hole Center [mm]	<b>245</b>
Inside Diameter [mm]	<b>265</b>
Flange Inside Diameter [mm]	<b>221</b>
Flange Thickness [mm]	<b>8</b>



**P/N 09.5759.54/64**

**TECHNICAL SPECIFICATION**

Diameter [mm]	<b>370</b>
Thickness [mm]	<b>35</b>
Annulus [mm]	<b>55</b>
Air Gap [mm]	<b>17</b>
Weight [Kg]	<b>8.3</b>
Ventilation	<b>48 vanes</b>
Offset [mm]	<b>18.5</b>
Number of Fixings	<b>10</b>
Mounting Hole Center [mm]	<b>245</b>
Inside Diameter [mm]	<b>260</b>
Flange Inside Diameter [mm]	<b>221</b>
Flange Thickness [mm]	<b>8</b>

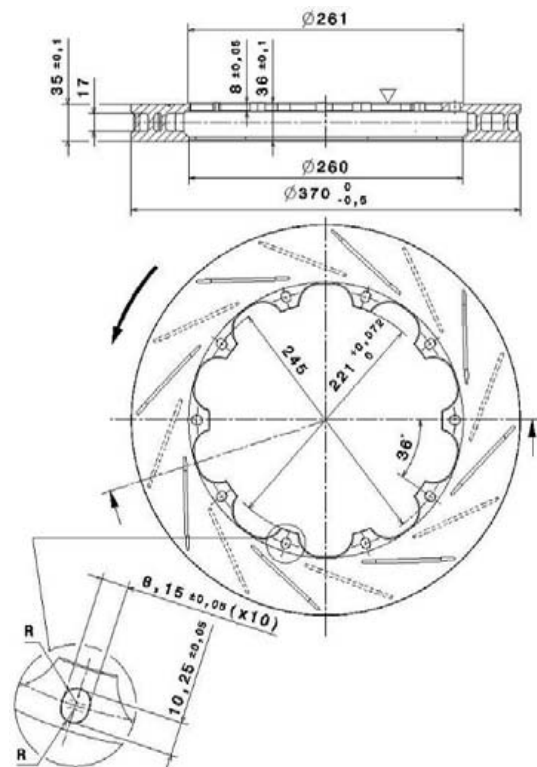




**P/N 09.8528.55/65**

**TECHNICAL SPECIFICATION**

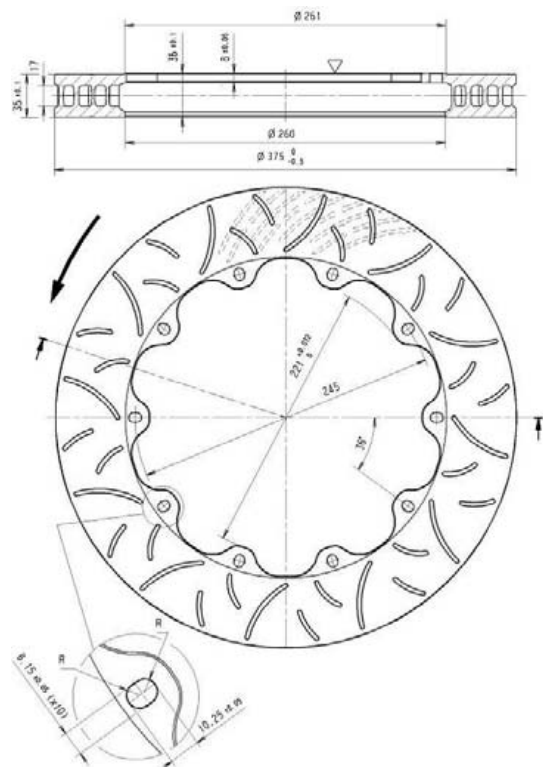
Diameter [mm]	<b>370</b>
Thickness [mm]	<b>35</b>
Annulus [mm]	<b>55</b>
Air Gap [mm]	<b>17</b>
Weight [Kg]	<b>8.8</b>
Ventilation	<b>72 vanes</b>
Offset [mm]	<b>18.5</b>
Number of Fixings	<b>10</b>
Mounting Hole Center [mm]	<b>245</b>
Inside Diameter [mm]	<b>260</b>
Flange Inside Diameter [mm]	<b>221</b>
Flange Thickness [mm]	<b>8</b>



**P/N 09.8528.51/61**

**TECHNICAL SPECIFICATION**

Diameter [mm]	<b>375</b>
Thickness [mm]	<b>35</b>
Annulus [mm]	<b>57.5</b>
Air Gap [mm]	<b>17</b>
Weight [Kg]	<b>9.2</b>
Ventilation	<b>72 vanes</b>
Offset [mm]	<b>18.5</b>
Number of Fixings	<b>10</b>
Mounting Hole Center [mm]	<b>245</b>
Inside Diameter [mm]	<b>260</b>
Flange Inside Diameter [mm]	<b>221</b>
Flange Thickness [mm]	<b>8</b>

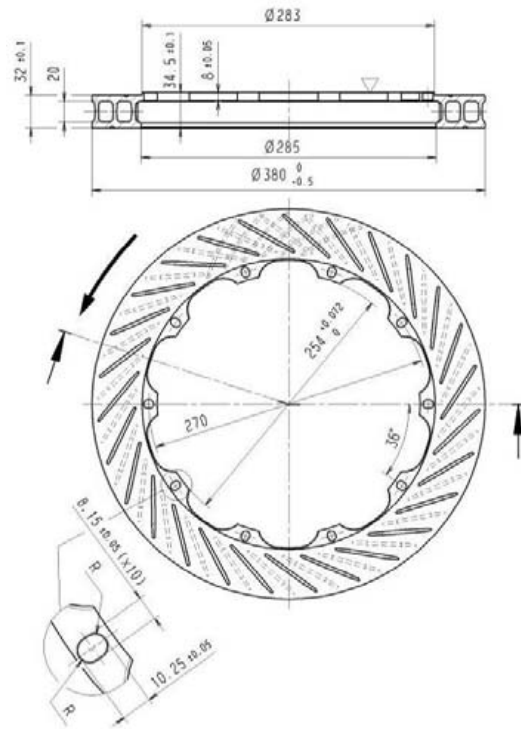




**P/N 09.5683.72/82**

**TECHNICAL SPECIFICATION**

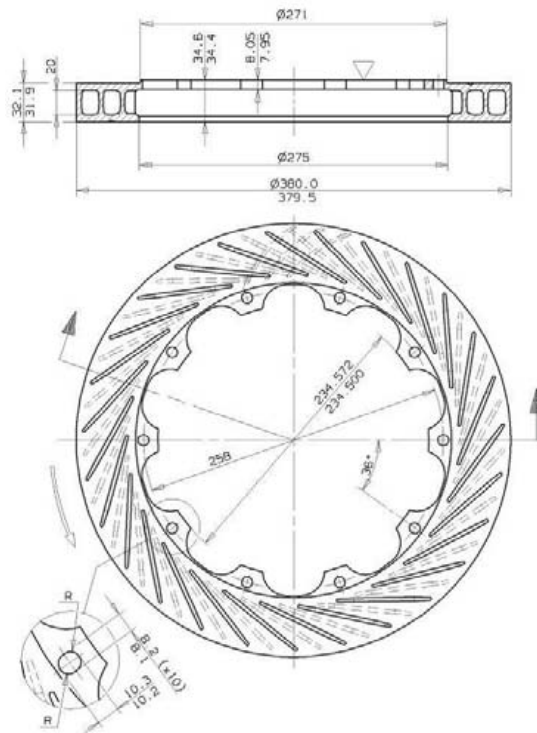
Diameter [mm]	<b>380</b>
Thickness [mm]	<b>32</b>
Annulus [mm]	<b>47.5</b>
Air Gap [mm]	<b>20</b>
Weight [Kg]	<b>6.2</b>
Ventilation	<b>48 vanes</b>
Offset [mm]	<b>18.5</b>
Number of Fixings	<b>10</b>
Mounting Hole Center [mm]	<b>270</b>
Inside Diameter [mm]	<b>285</b>
Flange Inside Diameter [mm]	<b>254</b>
Flange Thickness [mm]	<b>8</b>



**P/N 09.5884.73/83**

**TECHNICAL SPECIFICATION**

Diameter [mm]	<b>380</b>
Thickness [mm]	<b>32</b>
Annulus [mm]	<b>52.5</b>
Air Gap [mm]	<b>20</b>
Weight [Kg]	<b>7</b>
Ventilation	<b>48 vanes</b>
Offset [mm]	<b>18.5</b>
Number of Fixings	<b>10</b>
Mounting Hole Center [mm]	<b>258</b>
Inside Diameter [mm]	<b>275</b>
Flange Inside Diameter [mm]	<b>234.5</b>
Flange Thickness [mm]	<b>8</b>

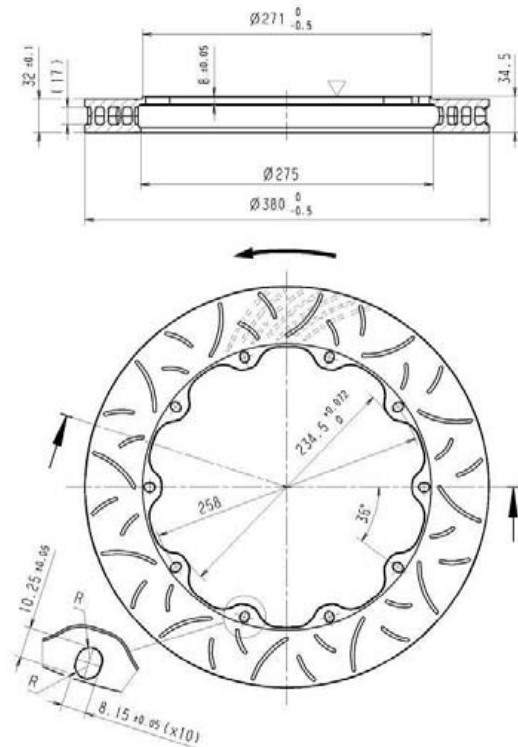




**P/N 09.8528.74/84**

**TECHNICAL SPECIFICATION**

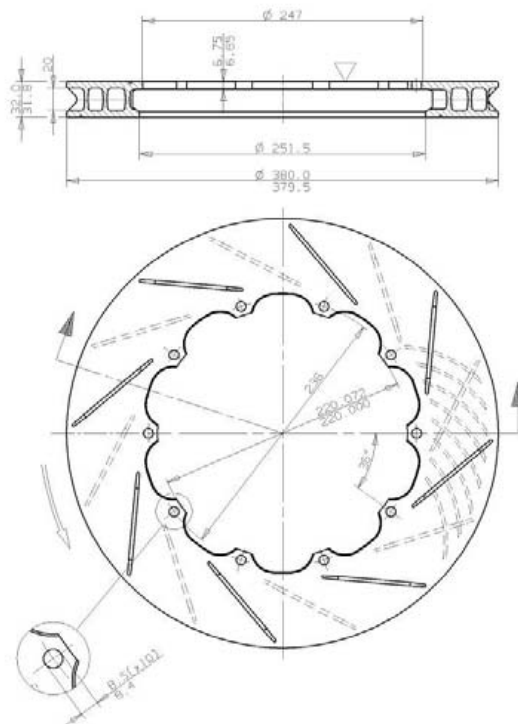
Diameter [mm]	<b>380</b>
Thickness [mm]	<b>32</b>
Annulus [mm]	<b>52.5</b>
Air Gap [mm]	<b>17</b>
Weight [Kg]	<b>7.9</b>
Ventilation	<b>72 vanes</b>
Offset [mm]	<b>17.2</b>
Number of Fixings	<b>10</b>
Mounting Hole Center [mm]	<b>258</b>
Inside Diameter [mm]	<b>275</b>
Flange Inside Diameter [mm]	<b>234.5</b>
Flange Thickness [mm]	<b>8</b>



**P/N 09.7938.53/63**

**TECHNICAL SPECIFICATION**

Diameter [mm]	<b>380</b>
Thickness [mm]	<b>32</b>
Annulus [mm]	<b>64.25</b>
Air Gap [mm]	<b>20</b>
Weight [Kg]	
Ventilation	<b>48 vanes</b>
Offset [mm]	<b>15.9</b>
Number of Fixings	<b>10</b>
Mounting Hole Center [mm]	<b>236</b>
Inside Diameter [mm]	<b>251.5</b>
Flange Inside Diameter [mm]	<b>220</b>
Flange Thickness [mm]	<b>6.7</b>



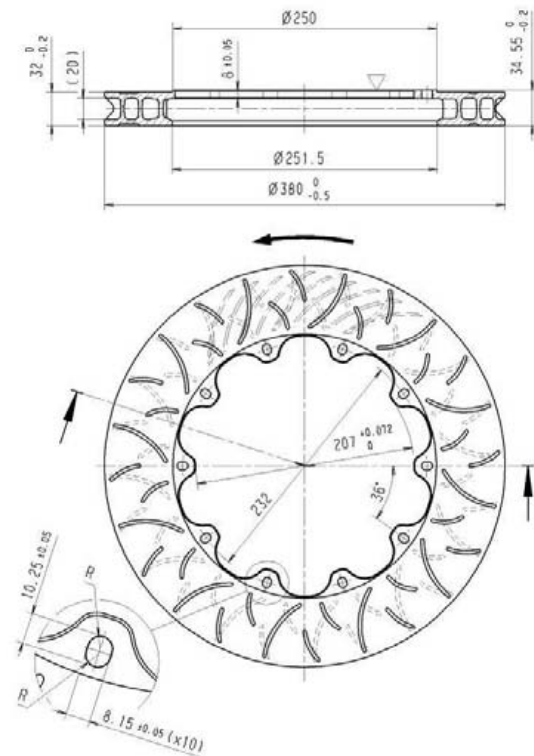




**P/N XA2.91.32/33**

**TECHNICAL SPECIFICATION**

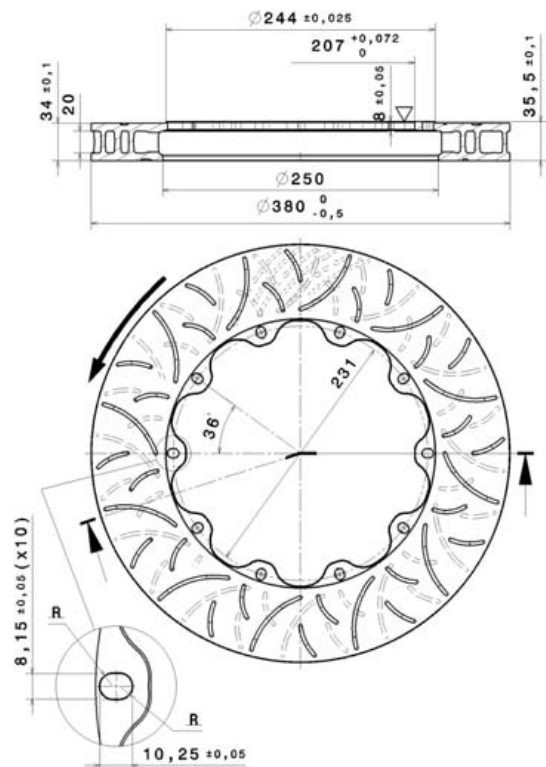
Diameter [mm]	<b>380</b>
Thickness [mm]	<b>32</b>
Annulus [mm]	<b>64.25</b>
Air Gap [mm]	<b>20</b>
Weight [Kg]	<b>7.7</b>
Ventilation	<b>48 vanes</b>
Offset [mm]	<b>17.5</b>
Number of Fixings	<b>10</b>
Mounting Hole Center [mm]	<b>232</b>
Inside Diameter [mm]	<b>251.5</b>
Flange Inside Diameter [mm]	<b>207</b>
Flange Thickness [mm]	<b>8</b>



**P/N 09.A009.12/22**

**TECHNICAL SPECIFICATION**

Diameter [mm]	<b>380</b>
Thickness [mm]	<b>34</b>
Annulus [mm]	<b>65</b>
Air Gap [mm]	<b>20</b>
Weight [Kg]	<b>9.46</b>
Ventilation	<b>72 vanes</b>
Offset [mm]	<b>18.5</b>
Number of Fixings	<b>10</b>
Mounting Hole Center [mm]	<b>230</b>
Inside Diameter [mm]	<b>250</b>
Flange Inside Diameter [mm]	<b>206.5</b>
Flange Thickness [mm]	<b>8</b>





**P/N 09.8528.78/88**

**TECHNICAL SPECIFICATION**

Diameter [mm]	<b>380</b>
Thickness [mm]	<b>35</b>
Annulus [mm]	<b>52.5</b>
Air Gap [mm]	<b>17</b>
Weight [Kg]	<b>9</b>
Ventilation	<b>72 vanes</b>
Offset [mm]	<b>18.5</b>
Number of Fixings	<b>10</b>
Mounting Hole Center [mm]	<b>258</b>
Inside Diameter [mm]	<b>275</b>
Flange Inside Diameter [mm]	<b>234.5</b>
Flange Thickness [mm]	<b>8</b>

